

# SENCOR®

## SPT 3907



**USER'S MANUAL**

**UŽIVATELSKÁ PŘÍRUČKA**

**POUŽÍVATEĽSKÁ PRÍRUČKA**

**HASZNÁLATI ÚTMUTATÓ**

**INSTRUKCJA UŻYTKOWNIKA**

**CD/USB RADIO CASSETTE PLAYER**

**RADIOMAGNETOFON  
S CD/USB PŘEHRÁVAČEM**

**RÁDIOMAGNETOFÓN  
S CD/USB PREHRÁVAČOM**

**RÁDIÓS MAGNETOFON CD/USB  
LEJÁTSZÓVAL**

**RADIOMAGNETOFON  
Z ODTWARZACZEM CD/USB**

**EN CZ SK HU PL**



**IMPORTANT:** Please read before using and retain for future reference.

## IMPORTANT NOTES

### INTRODUCTION

- Thank you for buying our product.
- Please read through these operating instructions, so you will know how to operate your equipment properly. After you finished reading the instructions manual, put it away in a safe place for future reference.

### WARNING

To prevent fire or shock hazard, do not expose this appliance to rain or moisture. To avoid electrical shock, do not open the cabinet; refer servicing to qualified personnel only.

### CAUTION

Use of controls or adjustment or performance of procedures other than those specified herein may result in hazardous radiation exposure.

### DANGER

Invisible laser radiation when open and interlock failed or defeated. Avoid direct exposure to beam.



This Compact Disc player is classified as a Class 1 LASER PRODUCT. THE CLASS 1 LASER PRODUCT label is located on the rear exterior.

- Avoid installing the unit in locations described below:
  1. Places exposed to direct sunlight or close to heat radiating appliance such as electric heaters, on top of other stereo equipment that radiate too much heat.
  2. Places lacking ventilation or dusty places.
  3. Places subject to constant vibration.
  4. Humid or moist places.
- Operate turning controls and switches as instructed in manual.
- Before turning on the power for the first time, make sure that the power cord is properly installed.
- Store your tapes or CD in a cool area to avoid damage from heat.

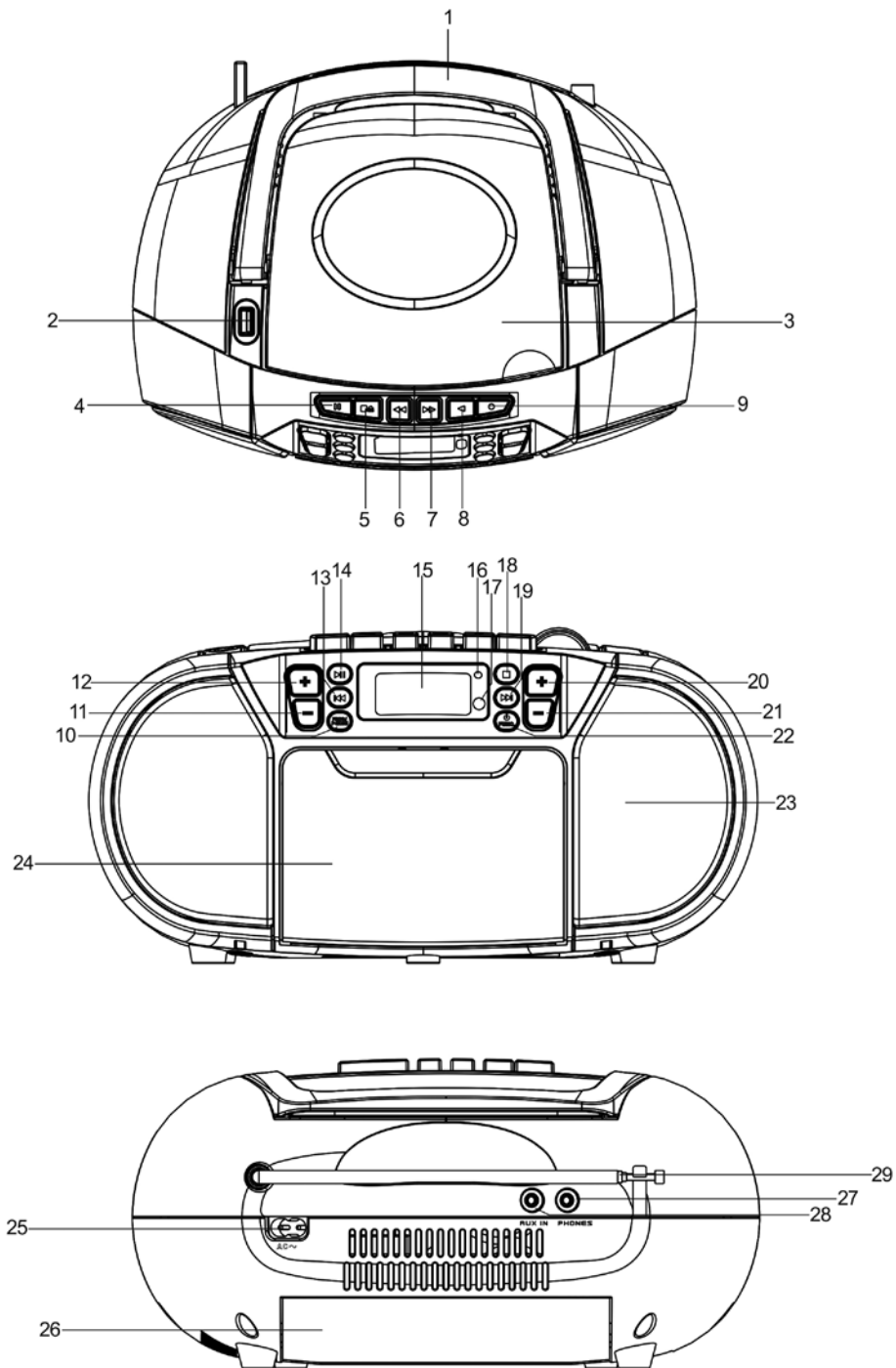
### CAUTION:

TO REDUCE THE RISK OF ELECTRIC SHOCK, DO NOT REMOVE COVER (OR BACK). NO USER SERVICEABLE PARTS INSIDE, REFER SERVICING TO QUALIFIED SERVICE PERSONNEL.

### WARNING:

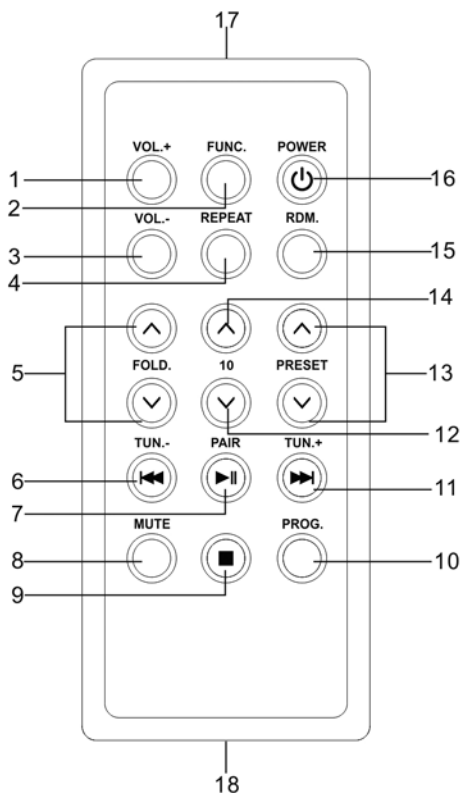
Remove batteries if exhausted or if they will not be used again for a long period.

- The incorrect use of batteries can cause electrolyte leakage and will corrode the compartment or cause the batteries to burst, therefore:
- Do not mix battery types, e.g. alkaline with zinc carbonate.
- When inserting new batteries, replace all batteries at the same time.



# NAMES OF CONTROLS

1. FOLDING HANDLE
2. USB PORT
3. CD DOOR COMPARTMENT
4. CASSETTE PAUSE KEY
5. CASSETTE STOP/EJECT KEY
6. CASSETTE FAST FORWARD KEY
7. CASSETTE REWIND KEY
8. CASSETTE PLAY KEY
9. CASSETTE RECORD KEY
10. PROG./P-MODE BUTTON
11. 10/FOLD./M.- BUTTON
12. 10/FOLD./M.+ BUTTON
13. ◀◀ BUTTON
14. PLAY/PAUSE/PAIR BUTTON
15. LCD DISPLAY
16. STANDBY INDICATOR
17. IR INDICATOR
18. STOP BUTTON
19. ▶▶ BUTTON
20. VOLUME+ BUTTON
21. VOLUME- BUTTON
22. FUNCTION/STANDBY BUTTON
23. SPEAKER
24. CASSETTE DOOR
25. AC SOCKET
26. BATTERY COMPARTMENT
27. PHONE JACK
28. AUX IN JACK
29. FM TELESCOPIC ANTENNA



## REMOTE HANDSET

1. VOL+
2. FUNCTION
3. VOL-
4. REPEAT
5. FOLDER UP & DOWN
6. PREVIOUS/REVERSE and TUN-
7. PLAY/PAUSE/PAIR
8. MUTE
9. STOP
10. PROG.
11. NEXT/FORWARD and TUN+
12. -10
13. PRESET UP & DOWN
14. +10
15. RDM.
16. STANDBY (POWER)
17. Remote transmitter
18. Battery compartment

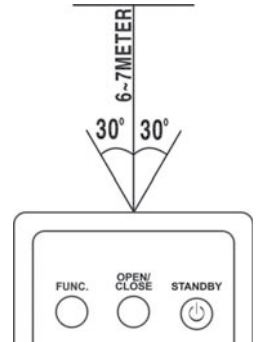
### Note:

Please remove the plastic protector from the battery compartment before using for the first time.

## REMOTE CONTROL OPERATION

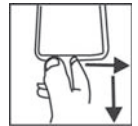
To operate the unit with the remote control, point the **remote transmitter** [17] of the remote control at the IR sensor on the front display panel of the unit. Press the buttons on the remote control to use it.

The remote works best at a distance of no further than 5 meters and within 30 degrees to either side of the sensor. Bright sunlight or other lighting conditions in the room can interfere with the remote control. If remote operation is unsatisfactory or stops working entirely, try using a new battery in the remote or try darkening the room.



## REPLACING THE REMOTE CONTROL BATTERY

- The remote control includes one CR2025 (3V) lithium battery. Remove the plastic protector from the battery compartment before using the remote for the first time.
- To replace the battery, gently push the clasp to the right and then slide the battery compartment tray out. Remove the old battery and install a new lithium battery (type CR-2025) in the tray. The positive side of the battery should face up.
- Slide the tray back into the compartment until the clasp clicks into place.



## POWER SOURCE

This unit is designed to be operated on AC/DC.

### AC OPERATION

Plug the tail of AC power cord into AC socket on unit and the plug into household AC wall outlet. The batteries will be automatically disconnected.

### DC OPERATION

Open the BATTERY COMPARTMENT DOOR. Install 6 pcs UM-1/D size batteries (not included) into compartment. Please follow correct polarities as indicated.

### CAUTION

- Remove batteries if they are exhausted or long time use.
- Batteries contain chemical substances, so they should be disposed of properly.

## BASIC FUNCTION

### SWITCHING ON THE UNIT

After connecting the power, press STANDBY/FUNC. button to turn on the unit, then press the STANDBY/FUNC. button again to choose CD /USB/ TAPE or FM mode.

**NOTE:**

In CD/USB/MP3/AUX mode, when the unit is not providing the main function for 15 minutes, the unit will automatically switch into standby mode. In the tape mode, only the tape stops for 15 minutes, the unit will automatically switch into standby mode. To turn on the unit again, press „ STANDBY/FUNC.“ button or replug the unit.

**ESD hints** – The product maybe reset or not reset to operation of control due to electrostatic discharge, just switch off and reconnect again.

**TO ADJUST VOLUME**

Press VOL.+/- button to increase or decrease volume.

**HEADPHONE JACK**

For private listening, connect a 3.5mm headphone (not included) to the HEADPHONE jack. The SPEAKER will be automatically disabled.

**CAUTION:**

LISTENING AT A HIGH VOLUME OVER A LONG PERIOD IS NOT GOOD FOR YOUR EARS.

## USING THE RADIO

**TUNING IN RADIO STATIONS**

1. Press the STANDBY/FUNC. button to choose radio mode: FM mode.
2. Tune to the desired station by pressing ►► or ◄◄ button, the station frequency will show on the display.
3. Press the VOL.+/- button to adjust the volume to a comfortable level.
4. To optimize reception when listening to stations on the FM band, extend the telescopic antenna to its full length. Gently move the unit back and forth to get the best reception when you are listening to FM program, or place the unit in an open place. When the stereo signal is received, the ST. show on the display.

**AUTO PRESET MEMORY / SCAN**

To search for and automatically save stations to preset memory, press and hold the **PLAY/PAUSE** button. Any station with a strong enough signal will be saved to preset memory.

After the unit finishes scanning, the unit will automatically tune to preset station number 1 (P01).

To tune to the next or previous preset station, press **M.+/M.-** button to go to next or previous preset station.

**MANUAL PRESET MEMORY OPERATION**

You may pre-store 30 radio stations in memory for your preference.

1. Tune to the desired station that you want to save as a preset by pressing ►► or ◄◄ button.
2. Press the **PROG.** button on unit, PROG indicator will flash and “P01” will show on the display to indicate that you are saving the station as preset memory 01, to change the preset memory sequence, press **M.+** or **M.-** button., then press **PROG.** button on unit again to enter.
3. Search another station, repeat steps (1) & (2) until all desired stations stored. Up to 30 FM stations can be programmed.
4. To tune to the next or previous preset station, press **PROG.** button first, then press **M.+** or **M.-** button immediately to go to next or previous preset station.

# USING THE CASSETTE

## UNDERSTANDING THE BUTTONS

**PLAY** – Press to play cassettes.

**REWIND** – From stop mode, press to rewind the tape toward the beginning.

**F.FWD** – From stop mode, press to advance the tape toward the end.

**STOP/EJ.** – Press to stop current tape activity or to open the cassette compartment door when no buttons are active.

**PAUSE** – Press to interrupt tape play or record mode. Press the second time to resume tape play or tape record mode.

## PLAYING A CASSETTE TAPE

1. Press the STANDBY/FUNC. button to Choose TAPE mode.
2. Press STOP/EJ. Key to open the cassette compartment door.
3. Insert cassette tape into the compartment with the open edge facing up and the full reel on the right.
4. Close the door securely.
5. Press REWIND or F.FWD to move tape to the desired starting point.
6. Press PLAY key to begin playing the tape.
7. Adjust the volume to your desired listening level.

## AUTOMATIC STOP FEATURE

When the cassette deck is operating in play or record mode and the end of the tape is reached, the unit automatically shuts itself off and returns all buttons to the off position.

## RECORDING FROM THE RADIO

1. Load a blank tape into the tape compartment and close the door.
2. Set the FUNCTION switch to RADIO; Tune to required station by rotating the TUNING KNOB.
3. Press RECORD key to begin recording. RECORD key and PLAY key go down simultaneously.
4. Press STOP/EJ. Key to end recording.
5. To hear what you recorded, follow instructions in PLAYING A CASSETTE TAPE.

### NOTE:

**PAUSE FOR A MOMENT** – Using the PAUSE key on the cassette deck instead of the STOP/EJ. Key to momentarily interrupt recording gives you a much clear recording. Press PAUSE key again to resume recording.

## RECORDING FROM CD

1. Insert a blank cassette tape into the tape compartment.
2. Slide the FUNCTION switch to CD/AUX position.
3. Load a CD and select the desired track you want to record.
4. Press CD PLAY/PAUSE button to start playback. Press RECORD key to begin recording. RECORD key and PLAY key go down simultaneously.
5. Press PAUSE key to interrupt or edit recording. Press it again to resume recording.
6. Press STOP/EJ. Key to end recording.
7. To hear what you recorded, follow instructions in PLAYING A CASSETTE TAPE.

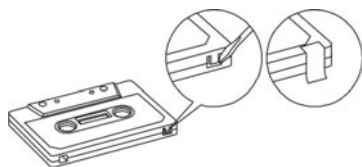
## TYPES OF CASSETTE

Use only good quality cassettes (IEC TYPE 1) for making recordings. May be used to replay other types of cassette but is unable to make proper recording on these more specialized tapes. The use of C120 cassettes is NOT recommended in this machine.



## PROTECTING RECORDING

Normally, anything recorded on the tape is automatically erased when new recording is made. It is possible to protect your recording from accidental erasure by removing the tabs found on the rear of the cassette.



ERASE TAB FOR SIDE "A"

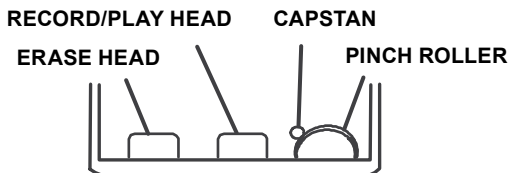
When the cassette is held with the recorded side upper-most and exposed tape facing the front, the protective tab will be found on the left rear of the cassette.

All pre-recorded cassette are protected in this way to prevent accidental erasure of the commercial recording. "Protected" cassette will prevent the record button from being operated. If at any time you attempt to record and find that this button will not depress, never force the mechanism or it may be damaged. Check that a cassette has been loaded and that tab has not been removed.

Recording on a cassette from which the tabs have been removed can be done by covering the tab openings with a piece of adhesive tape.

## CARE OF CASSETTE MECHANISM

Gently clean the tape head and pinch wheel/capstan assemblies after every 10 hours of using the unit. A range of cassette care products are available.



The erase head and record/play head and the surface of the pinch roller are delicate and must not be touched with metal objects such as screwdrivers. You may find it easier to clean the assembly by pressing the PLAY button to bright head and pinch roller into view. Be sure to press the STOP button after cleaning the mechanism.

Damage to the pinch wheel can occur if the unit is left in PLAY mode with the power switch off. Under no circumstances should you attempt to lubricate any part of the machine.

## CD/MP3 OPERATION

### Discs for Playback

This system can playback all digital audio CD, MP3, WMA finalized digital audio CD-Recordable (CD-R) discs, finalized digital audio CD-Rewritable (CD-RW) discs and CD-DA format digital audio CD/CD-R/CD-RW discs.

### LOADING A DISC

1. Press the STANDBY/FUNC. button to choose CD mode.
2. Open the CD door. "OPEN" will be shown on the display.
3. Place an audio CD into the tray with the label side facing up.
4. Close the CD door. The total number of tracks will appear on the display after reading finished.

5. To remove the CD, press STOP BUTTON and open CD compartment lid, grasp the CD by its edges, and carefully take it out.

**Note:**

1. To ensure good system performance; wait until the disc tray completely reads the disc before proceeding.
2. If no disc is loaded into the compartment, or the disc is placed upside down, the display will show **NO DISC**.

## PLAYING A DISC

**After loading the disc, the unit starts playback automatically.**

1. The playback starts from track 1, the "Track 01" indicator is shown on the display.  
To interrupt playback, press the PLAY/PAUSE button. The "current playing time" indicator will flash on the display.  
To resume playback, press the PLAY/PAUSE button again.
2. To stop playback, press the STOP button, the total number of tracks appears on the display.

## SELECTING A DESIRED TRACK/PASSAGE

**To select a desired track**

- Press the **◀◀ / ▶▶** button repeatedly in stop mode or during play until the desired track appears on the display.
- Press the PLAY/PAUSE button to start play.

**To search for a particular passage during playback (track scanning at high speed)**

Press and hold the **◀◀ / ▶▶** button to scan the current playing track at high speed until desired passage appears, and then release the button. Playback will start again from this point.

**To select a song which track number exceeds 10(for MP3 disc only)**

To select a song/track which number exceeds 10, Press the 10/FOLD./M.+ or 10/FOLD./M.- button each time to skip forward/backward 10 tracks, then press the **▶▶** or **◀◀** button to select desired track. For example: to select the 17<sup>th</sup> track, press 10/FOLD./M.+ button, and then the **▶▶** button six times immediately.

**To Select A Desired Folder(for MP3 disc only)**

(if the MP3 disc contains more than one folder)

To skip to the desired folder during playback, press and hold the 10/FOLD./M.+ or 10/FOLD./M.- button for about 2 seconds to skip to next/previous folder.

## PROGRAM TRACKS

Programming tracks of disc are possible when playback is stopped. Up to CD 20 tracks /MP3 99 tracks can be stored in the memory in any order.

1. In stop mode, press the PROG. /P-MODE button, the **P01** indicator will be on.
2. Press the CD **▶▶** or **◀◀** button to select the first desired track to be programmed.
3. Press the PROG./P-MODE button to enter. The display changes to show **P02**.
4. Repeat steps 2 & 3 to store other desired tracks until all tracks are programmed.
5. Press the PLAY/PAUSE button to start playback from the first programmed track.
6. Press the STOP button to stop program playback.

**To Erase the Memory (Program)**

To clear the program, you have two options:

1. Press the STOP button when the disc is stopped, and
2. Open the CD compartment lid, program will be erased.

## REPEAT

You can play one track or all tracks on the disc repeatedly.

### To Repeat a Single Track

1. Press **PROG./P-MODE** button once in play, the REP indicator will flash on the display. The current track will be played over and over again till you press STOP button.
2. To cancel repeat play, press **PROG./P-MODE** button until the REP indicator disappears.

### To repeat all the Tracks

1. Press **PROG./P-MODE** button twice in play, the REP indicator will show steady on the display, all tracks on the disc will be played over and over again till you press STOP button.
2. To cancel repeat play, press **PROG./P-MODE** button until the REP indicator disappears.

### To repeat current folder (for MP3 only)

1. Press **PROG./P-MODE** button in play mode, till the “REP-ALBUM” shows steady on the display, the current folder will be played repeatedly until the STOP button is pressed.
2. To cancel Repeat function, press the **PROG./P-MODE** button until the “REP-ALBUM” disappear on the LCD display.

## RANDOM PLAY

Press the **PROG./P-MODE** button in Play/Stop mode to activate random playback, the RDM indicator will show on the display, playback will start from any one track (not in the order of the disc). To cancel the RANDOM, press the **RDM** button again.

## USB OPERATION

1. Press the **STANDBY/FUNC.** button to choose USB mode.
2. Connect the USB to the USB INPUT. The LCD will show the total number of tracks and folders stored in the USB. After reading the USB (The unit can support up to 32G USB device), the unit will start playback automatically.
3. Press the **■** button on unit to stop playing. The display will show total number of USB and folders and STOP.
4. Proceed repeat play (repeat 1- repeat folder – repeat all-INTRO)/program play/skip up and back operation as the same described in above “CD/MP3 OPERATION”.

### CAUTION:

Do not use any USB extension cable for connecting the USB bar which may cause harmful interference

## BLUETOOTH OPERATION

1. Press the **FUNC.** button on unit or on remote control to switch to BLUETOOTH function, the LCD will display “bT” and the Pair/Standby indicator will flash at high speed.
2. Turn on the Bluetooth function on the device, scan the unit “SPT 3907” and connect, then input the password 0000 if required the display will show “bt”. Press **▶II/PAIR** button on the unit or play key on the device to start playback. If the unit can't connect the relative Bluetooth within 2 minutes, press the **▶II/PAIR** button on unit or PAIR key on remote control to reconnect.
3. Press the **VOLUME +/-** button to your desired level.
4. Press **▶▶** button or **◀◀** on the unit or **▶▶** key on remote control to choose the desired track.
5. To stop playback, press **▶II/PAIR** button on unit or **▶II** key on remote control.

**Note:** The Bluetooth works best within 10 meters.

## AUX IN OPERATION

This unit provides a 3.5mm AUX IN jack, through this jack other audio sources can be connected to this unit and be amplified.

1. Press the STANDBY/FUNC. button to choose AUX mode.
2. Connect the audio cable into the AUX IN jack and the other end connects to the AUDIO OUT jack of the external audio source.
3. Adjust the volume of the main unit to your desired level.
4. Press PLAY of the external audio source (eg. MP3 player) to start playback.

## SPECIFICATIONS

### GENERAL

Power Requirement	AC 100–240 V~60/50 Hz DC 9V UM-1 × 6 PCS
Power consumption	14 W
Weight	Approx. 1.7 kg
Dimensions	Approx. 280 mm (W) × 210 mm (D) × 140 mm (H)
Operation temperature	+5–35 °C

### RECEIVER SECTION

FM Frequency Range	87.5–108 MHz
--------------------	--------------

### COMPACT DISC SECTION

Optical Pickup	3–Beam Laser
Frequency Response	100 Hz–16 KHz

### CASSETTE SECTION

Bias System	DC Bias
Frequency Response	125 Hz–4 kHz
Wow and Flutter	0.4 % WRMS (JIS)

### AUDIO SECTION

Power output	2 Watts × 2 (RMS)
--------------	-------------------

### Bluetooth

	V5.0
--	------

### ACCESSORIES

Instruction Booklet	1
AC Cord	1
Remote control	1

#### Note:

Specifications are subject to change for continuous improvement, therefore, we reserve the rights to those modifications without prior notice.

## INSTRUCTIONS AND INFORMATION REGARDING THE DISPOSAL OF USED PACKAGING MATERIALS

Dispose of packaging material at a public waste disposal site.



### DISPOSAL OF USED ELECTRICAL AND ELECTRONIC APPLIANCES

The meaning of the symbol on the product, its accessory or packaging indicates that this product shall not be treated as household waste. Please, dispose of this product at your applicable collection point for the recycling of electrical & electronic equipment waste. Alternatively in some states of the European Union or other European states you may return your products to your local retailer when buying an equivalent new product. The correct disposal of this product will help save valuable natural resources and help in preventing the potential negative impact on the environment and human health, which could be caused as a result of improper liquidation of waste. Please ask your local authorities or the nearest waste collection centre for further details. The improper disposal of this type of waste may fall subject to national regulations for fines.

### For business entities in the European Union

If you wish to dispose of an electrical or electronic device, request the necessary information from your seller or supplier.

### Disposal in other countries outside the European Union

If you wish to dispose of this product, request the necessary information about the correct disposal method from local government departments or from your seller.



The product meets EU requirements.

Hereby, FAST ČR, a.s. declares that the radio equipment type SPT 3907 is in compliance with Directive 2014/53/EU. The full text of the EU declaration of conformity is available at the following internet address: [sencor.com](http://sencor.com)

Changes to the text, design and technical specifications may occur without prior notice and we reserve the right to make these changes.

The original version is in the Czech language.

Address of the manufacturer:

FAST ČR, a.s., Černokostelecká 1621, Říčany CZ-251 01

# SENCOR®

## EN Warranty conditions

### **Warranty card is not a part of the device packaging.**

This product is warranted for the period of 24 months from the date of purchase to the end-user. Warranty is limited to the following conditions. Warranty is referred only to the customer goods using for common domestic use. The claim for service can be applied either at dealer's shop where the product was bought, or at below mentioned authorized service shops. The end-user is obligated to set up a claim immediately when the defects appeared but only till the end of warranty period. The end user is obligated to cooperate to certify the claiming defects. Only completed and clean (according to hygienic standards) product will be accepted. In case of eligible warranty claim the warranty period will be prolonged by the period from the date of claim application till the date of taking over the product by end-user, or the date the end-user is obligated to take it over. To obtain the service under this warranty, end-user is obligated to certify his claim with duly completed following documents: receipt, certificate of warranty, certificate of installation.

### **This warranty is void especially if apply as follows:**

- Defects which were put on sale.
- Wear-out or damage caused by common use.
- The product was damaged by unprofessional or wrong installation, used in contrary to the applicable instruction manual, used in contrary to legal enactment and common process of use or used for another purpose which has been designed for.
- The product was damaged by uncared-for or insufficient maintenance.
- The product was damaged by dirt, accident of force majeure (natural disaster, fire, and flood).
- Defects on functionality caused by low duality of signal, electromagnetic field interference etc.
- The product was mechanically damaged (e.g. broken button, fall).
- Damage caused by use of unsuitable media, fillings, expendable supplies (batteries) or by unsuitable working conditions (e.g. high temperatures, high humidity, quakes).
- Repair, modification or other failure action to the product by unauthorized person.
- End-user did not prove enough his right to claim (time and place of purchase).
- Data on presented documents differs from data on products.
- Cases when the claiming product cannot be indentified according to the presented documents (e.g. the serial number or the warranty seal has been damaged).

### **Authorized service centers**

Visit [www.sencor.com](http://www.sencor.com) for detailed information about authorized service centers.

**DŮLEŽITÉ:** Přečtěte si před použitím a uschovejte pro pozdější použití.

## DŮLEŽITÉ POZNÁMKY

### ÚVOD

- Děkujeme vám za zakoupení tohoto produktu.
- Přečtěte si prosím pozorně tento návod k obsluze, abyste se naučili toto zařízení správně používat. Po přečtení uložte návod k obsluze na bezpečné místo pro pozdější použití.

### VAROVÁNÍ

Abyste předešli nebezpečí požáru nebo úrazu elektrickým proudem, nevystavujte tento přístroj dešti ani vlhkosti. Aby nedošlo k úrazu elektrickým proudem, neotevírejte skříňku přístroje; svěťte opravy výhradně kvalifikovaným servisním technikům.

### UPOZORNĚNÍ

Použití ovládacích prvků, seřizování přístroje nebo provádění postupů v rozporu se zde uvedenými pokyny může mít za následek vystavení účinkům nebezpečného záření.

### NEBEZPEČÍ

V případě otevření a selhání nebo vyřazení bezpečnostních mechanismů hrozí nebezpečí neviditelného laserového záření. Nevystavujte se přímému působení laserového paprsku.



Tento přehrávač kompaktních disků je klasifikován jako LASEROVÝ PRODUKT Třídy 1. Označení CLASS 1 LASER PRODUCT (Laserový produkt třídy 1) je umístěno na zadní vnější straně.

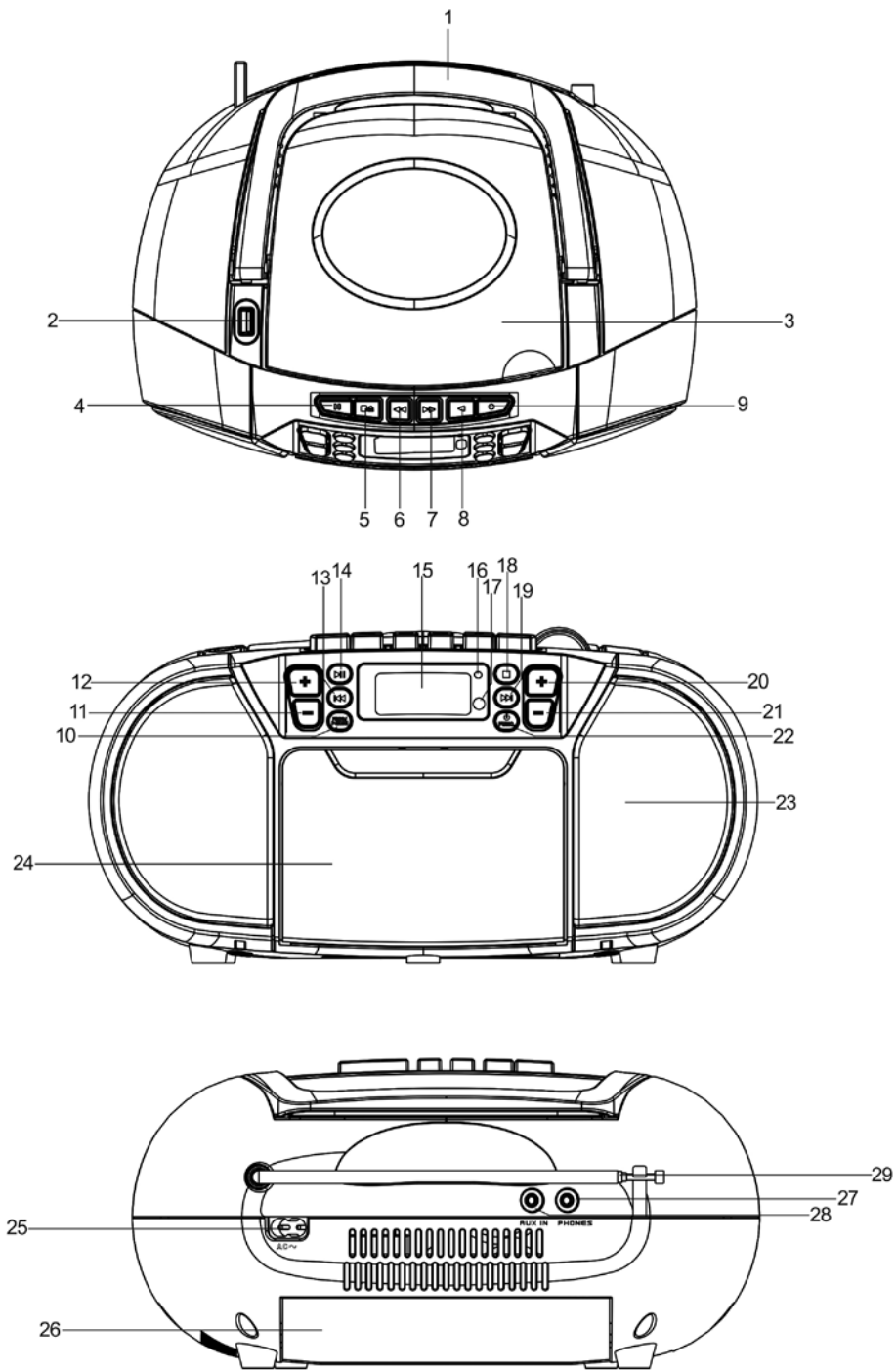
- Neinstalujte tento přístroj do následujících míst:
  1. Místa vystavená přímému slunečnímu světlu nebo místa v blízkosti spotřebičů vyzařujících teplo, jako jsou například elektrická topná tělesa nebo umístění na jiná stereo zařízení vyzařující příliš mnoho tepla.
  2. Místa s nedostatečným odvětráváním nebo prашná místa.
  3. Místa vystavená nepřetržitým vibracím.
  4. Vlhká nebo mokrá místa.
- Ovládací prvky ladění a přepínače používejte podle pokynů v návodu.
- Před prvním zapnutím napájení zajistěte, aby byl správně připojen napájecí kabel.
- Kazety a disky CD uložte na chladné místo, aby nedošlo k jejich poškození teplem.

### UPOZORNĚNÍ:

ABYSTE SNÍŽILI NEBEZPEČÍ ÚRAZU ELEKTRICKÝM PROUDEM, NEODSTRAŇUJTE KRYT ANI ZADNÍ ČÁST PŘÍSTROJE. UVNITŘ NEJSOU ŽÁDNÉ DÍLY, KTERÉ BYSTE MOHLI SAMI OPRAVIT – PŘENECHTE OPRAVY KVALIFIKOVANÝM SERVISNÍM TECHNIKŮM.

### VAROVÁNÍ:

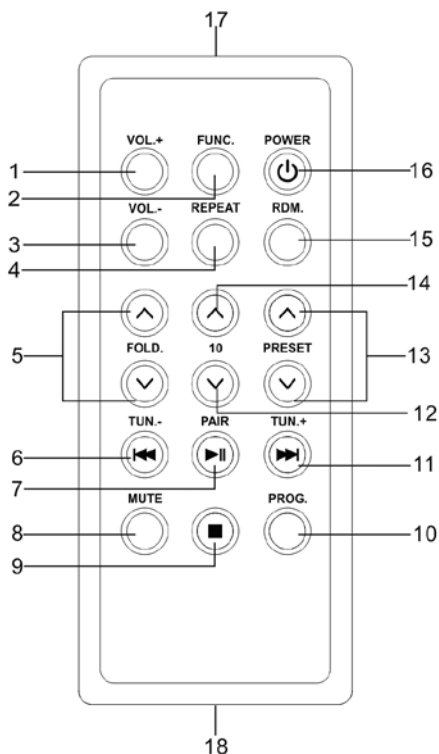
- Pokud jsou baterie vybité nebo pokud je nebudete delší dobu používat, vyjměte je prosím z přístroje.
- Nesprávné použití baterií může mít za následek únik elektrolytu a korozi prostoru pro baterie nebo prasknutí obalu baterií, a proto:
  - Nekombinujte různé typy baterií, např. alkalické baterie se zinko-uhlíkovými bateriemi.
  - Pokud vyměňujete baterie za nové, vyměňte je všechny současně.





## NÁZVY OVLÁDACÍCH PRVKŮ

1. SKLÁDACÍ RUKOJEŽ
2. PORT USB
3. DVÍŘKA CD MECHANIKY
4. TLAČÍTKO CASSETTE PAUSE (Pauza kazety)
5. TLAČÍTKO CASSETTE STOP/EJECT (Zastavení/Vysunutí kazety)
6. TLAČÍTKO CASSETTE FAST FORWARD (Rychlé přehrávání kazety dopředu)
7. TLAČÍTKO CASSETTE REWIND (Přetáčení kazety dozadu)
8. TLAČÍTKO CASSETTE PLAY (Přehrávání kazety)
9. TLAČÍTKO CASSETTE RECORD (Nahrávání na kazetu)
10. TLAČÍTKO PROG./P-MODE (Program/Režim P)
11. TLAČÍTKO 10/FOLD.M.- (10/Složka/Paměť-)
12. TLAČÍTKO 10/FOLD.M.+ (10/Složka/Paměť+)
13. TLAČÍTKO ◀◀
14. TLAČÍTKO PLAY/PAUSE/PAIR (Přehrávání/Pauza/Párování)
15. LCD DISPLEJ
16. INDIKÁTOR POHOTOVOSTNÍHO REŽIMU
17. PŘÍJÍMAČ IČ
18. TLAČÍTKO STOP (Zastavení)
19. TLAČÍTKO ▶▶
20. TLAČÍTKO VOLUME+ (Hlasitost+)
21. TLAČÍTKO VOLUME- (Hlasitost-)
22. TLAČÍTKO FUNCTION/STANDBY (Funkce/Pohotovostní režim)
23. REPRODUKTOR
24. DVÍŘKA PROSTORU PRO KAZETU
25. ZDÍŘKA AC (SÍŤOVÉ NAPÁJENÍ)
26. PROSTOR PRO BATERIE
27. KONEKTOR PHONE (Sluchátka)
28. KONEKTOR AUX IN (Externí vstup)
29. TELESKOPIČKÁ FM ANTÉNA



## DÁLKOVÝ OVLADAČ

1. VOL+ (Hlasitost +)
2. FUNCTION (Funkce)
3. VOL- (Hlasitost -)
4. REPEAT (Opakování)
5. FOLDER UP & DOWN (Složka nahoru a dolů)
6. PREVIOUS/REVERSE (Předchozí/Dozadu) a TUN- (Ladění-)
7. PLAY/PAUSE/PAIR (Přehrávání/Pauza/ Párování)
8. MUTE (Ztlumení)
9. STOP (Zastavení)
10. PROG. (Program)
11. NEXT/FORWARD (Další/Dopředu) a TUN+ (Ladění+)
12. -10
13. PRESET UP & DOWN (Předvolba nahoru a dolů)
14. +10
15. RDM. (Náhodné přehrávání)
16. STANDBY (POWER) (Pohotovostní režim/Napájení)
17. Vysílač dálkového ovládání
18. Prostor pro baterie

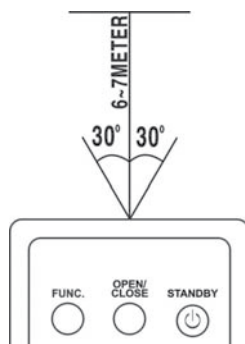
### Poznámka:

Před prvním použitím prosím odstraňte z prostoru pro baterie plastový chránič.

## OVLÁDÁNÍ DÁLKOVÝM OVLADAČEM

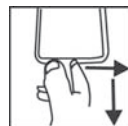
Pro ovládání tohoto přístroje dálkovým ovladačem nasměrujte **vysílač dálkového ovládání** [17] dálkového ovladače na IČ snímač na předním zobrazovacím panelu přístroje. Stiskněte tlačítka na dálkovém ovladači pro ovládání.

Dálkový ovladač funguje nejlépe ve vzdálenosti maximálně 5 metrů a pod úhlem maximálně 30 stupňů vůči jakékoli straně snímače. Jasně sluneční světlo nebo jiné osvětlení v místnosti mohou bránit správné funkci dálkového ovládání. Pokud dálkové ovládání nefunguje dobře nebo se úplně zastaví, zkuste vložit do dálkového ovladače novou baterii nebo zatemnit místnost.



## VÝMĚNA BATERIE V DÁLKOVÉM OVLADAČI

- Dálkový ovladač obsahuje jednu lithiovou baterii CR2025 (3 V). Před prvním použitím dálkového ovladače odstraňte z prostoru pro baterii plastový chránič.
- Pro výměnu baterie jemně zatlačte svorku doprava a pak vysuňte držák prostoru pro baterii. Vyměňte starou baterii a vložte do držáku novou lithiovou baterii (typu CR-2025). Kladná strana baterie musí být obrácena nahoru.
- Zasuňte držák zpět do prostoru tak, aby svorka zacvakla do správné polohy.



## ZDROJ ENERGIE

Tento přístroj je navržen pro napájení střídavým i stejnosměrným napětím.

### NAPÁJENÍ ZE SÍTĚ

Připojte jeden konec síťového napájecího kabelu do zdířky AC na přístroji a druhý konec připojte do síťové zásuvky v domácnosti.

Baterie se automaticky odpojí.

### NAPÁJENÍ Z BATERIÍ

Otevřete DVÍŘKA PROSTORU PRO BATERIE. Vložte do tohoto prostoru 6 baterií UM-1/D (nejsou součástí příslušenství). Dodržte prosím vyznačené polarity.

### UPOZORNĚNÍ

- Vyměňte baterie, pokud jsou vybité nebo pokud jste je dlouho používali.
- Baterie obsahují chemické látky a proto je při jejich likvidaci nutno postupovat podle předpisů.

# ZÁKLADNÍ FUNKCE

## ZAPNUTÍ PŘÍSTROJE

Po připojení napájení stiskněte tlačítko **STANDBY/FUNC.** pro zapnutí přístroje a pak stiskněte znovu tlačítko **STANDBY/FUNC.** pro výběr režimu **CD /USB/ KAZETOVÝ MAGNETOFON** nebo **FM.**

### POZNÁMKA:

Když přístroj v režimu **CD/USB/MP3/AUX** nepoužívá po dobu 15 minut hlavní funkci, automaticky se přepne do pohotovostního režimu. Když je přístroj v režimu kazetového magnetofonu a po dobu 15 minut nepoužívá kazetu, automaticky se přepne do pohotovostního režimu. Pro opětovné zapnutí přístroje stiskněte tlačítko „**STANDBY/FUNC.**“ nebo přístroj odpojte a znovu připojte.

**Tipy pro elektrostatický výboj** – V důsledku elektrostatického výboje může dojít k resetování ovládání přístroje – v takovém případě přístroj vypněte, odpojte, znovu připojte a zapněte.

## NASTAVENÍ HLASITOSTI

Pro zvýšení nebo snížení hlasitosti stiskněte tlačítko **VOL.** +/-.

## KONEKTOR PRO SLUCHÁTKA

Chcete-li poslouchat hudbu v soukromí, připojte 3,5mm konektor sluchátek (nejsou součástí příslušenství) do konektoru **HEADPHONE.** **REPRODUKTOR** se automaticky odpojí.

### UPOZORNĚNÍ:

**DLOUHODOBÝ HLASITÝ POSLECH PŮSOBÍ NEPŘÍZNIVĚ NA LIDSKÝ SLUCH.**

# POUŽÍVÁNÍ RÁDIA

## LADĚNÍ STANIC RÁDIA

1. Stisknutím tlačítka **STANDBY/FUNC.** vyberte režim rádia: Režim **FM.**
2. Naladíte požadovanou stanici stisknutím tlačítka **▶▶▶** nebo **◀◀◀** – frekvence stanice se zobrazí na displeji.
3. Stisknutím tlačítka **VOL.** +/- nastavte hlasitost na příjemnou úroveň.
4. Pro optimalizaci příjmu při poslechu stanic v pásmu **FM** rozviňte teleskopickou anténu na její plnou délku. Opatrně posuňte přístroj dozadu a dopředu pro dosažení nejlepšího příjmu při poslechu stanice v pásmu **FM,** nebo postavte přístroj do otevřeného prostoru. Při příjmu stereo signálu bude na displeji svítit **ST.**

## AUTOMATICKÉ ULOŽENÍ STANIC NA PŘEDVOLBY

Pro vyhledání a automatické uložení stanic do paměti předvoleb stiskněte a podržte tlačítko **PLAY/ PAUSE.** Jakákoli stanice s dostatečně silným signálem bude uložena do paměti předvoleb.

Přístroj po dokončení vyhledávání automaticky naladí předvolbu stanice číslo 1 (**P01**).

Pro naladění další nebo předchozí předvolby stanice stiskněte tlačítko **M.+/M.-** pro přechod na další nebo předchozí předvolbu stanice.

## RUČNÍ ULOŽENÍ STANIC NA PŘEDVOLBY

Do paměti můžete předem uložit 30 preferovaných stanic rádia.

1. Naladíte stanici, kterou chcete uložit pod předvolbu, stisknutím tlačítka **▶▶▶** nebo **◀◀◀.**
2. Stiskněte tlačítko **PROG.** na přístroji – indikátor **PROG** začne blikat a na displeji se zobrazí „**P01**“ pro indikaci ukládání stanice pod paměťovou předvolbu 01. Pro změnu sekvence paměťové předvolby stiskněte tlačítko **M.+** nebo **M.-** a pak znovu stiskněte tlačítko **PROG.** na přístroji pro potvrzení.

3. Vyhledejte další stanici a opakujte kroky (1) a (2), dokud neuložíte všechny požadované stanice. Můžete naprogramovat až 30 stanic v pásmu FM.
4. Pro naladění další nebo předchozí předvolby stanice stiskněte nejprve tlačítko **PROG.** a pak hned stiskněte tlačítko **M.+** nebo **M.-** pro přechod na další nebo předchozí předvolbu stanice.

## POUŽÍVÁNÍ KAZETOVÉHO MAGNETOFONU

### POPIS FUNKCÍ TLAČÍTEK

**PLAY (Přehrávání)** – Stiskněte pro přehrávání kazet.

**REWIND (Přetáčení dozadu)** – V režimu zastavení stiskněte pro přetočení kazety na začátek.

**F.FWD (Rychlé přetáčení dopředu)** – V režimu zastavení stiskněte pro přetočení kazety směrem ke konci.

**STOP/EJ. (Zastavení/Vysunutí)** – Stiskněte pro zastavení aktuální operace kazety nebo pro otevření dvířek prostoru pro kazetu, když nejsou aktivní žádná tlačítka.

**PAUSE (Pauza)** – Stiskněte pro přerušení přehrávání kazety nebo režimu nahrávání. Stiskněte podruhé pro obnovení přehrávání kazety nebo režimu nahrávání na kazetu.

### PŘEHŘÁVÁNÍ KAZETY

1. Stisknutím tlačítka **STANDBY/FUNC.** vyberte režim **KAZETOVÝ MAGNETOFON.**
2. Stiskněte tlačítko **STOP/EJ.** Pro otevření dvířek prostoru pro kazetu.
3. Vložte kazetu do prostoru pro kazetu s otevřeným okrajem obráceným nahoru a navinutou cívkou vpravo.
4. Uzavřete bezpečně dvířka.
5. Stiskněte tlačítko **REWIND** nebo **F.FWD** pro posunutí kazety na požadovaný startovací bod.
6. Stiskněte tlačítko **PLAY** pro spuštění přehrávání kazety.
7. Nastavte hlasitost na požadovanou poslechovou úroveň.

### FUNKCE AUTOMATICKÉHO VYPNUTÍ

Když je kazetový magnetofon v režimu přehrávání nebo nahrávání a je dosaženo konce kazety, přístroj se automaticky vypne a vrátí všechna tlačítka do polohy vypnuto.

### NAHRÁVÁNÍ Z RÁDIA

1. Vložte do prostoru pro kazetu prázdnou kazetu a uzavřete dvířka.
2. Nastavte přepínač **FUNCTION** do polohy **RADIO (Rádio).** Naladte požadovanou stanici otočením ovladače **TUNING.**
3. Stiskněte tlačítko **RECORD** pro spuštění nahrávání. Tlačítko **RECORD** a tlačítko **PLAY** se stlačí současně.
4. Stiskněte tlačítko **STOP/EJ.** pro ukončení nahrávání.
5. Pro poslech nahrávky postupujte podle pokynů v části **PŘEHŘÁVÁNÍ Z KAZETY.**

### POZNÁMKA:

**CHVILKOVÁ PAUZA** – Použití tlačítka **PAUSE** na kazetovém magnetofonu namísto tlačítka **STOP/EJ.** pro chvilkové přerušení nahrávání poskytuje mnohem čistější nahrávku. Stiskněte znovu tlačítko **PAUSE** pro obnovení nahrávání.

### NAHRÁVÁNÍ Z DISKU CD

1. Vložte do prostoru pro kazetu prázdnou kazetu.
2. Posuňte přepínač **FUNCTION** do polohy **CD/AUX (CD/Externí vstup).**
3. Vložte disk **CD** a vyberte požadovanou stopu, kterou chcete nahrát.
4. Stiskněte tlačítko **CD PLAY/PAUSE** pro spuštění přehrávání. Stiskněte tlačítko **RECORD** pro spuštění nahrávání.  
Tlačítko **RECORD** a tlačítko **PLAY** se stlačí současně.

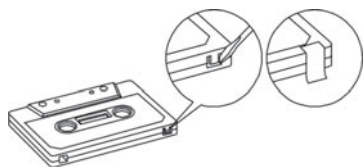
5. Stiskněte tlačítko PAUSE pro přerušení nebo úpravu nahrávání. Dalším stisknutím tohoto tlačítka můžete nahrávání obnovit.
6. Stiskněte tlačítko STOP/EJ. Pro ukončení nahrávání.
7. Pro poslech nahrávky postupujte podle pokynů v části PŘEHRÁVÁNÍ Z KAZETY.

## TYPY KAZET

Záznamy pořizujte pouze na kvalitní kazety (IEC TYPE 1). Kazety jiných typů lze v přístroji přehrávat, avšak na tyto speciální kazety nelze počítat s vyhovující nahrávkou. NEDOPORUČUJEME používat v tomto přístroji kazety C120.

## OCHRANA NAHRÁVKY

Za normálních okolností je jakýkoli záznam na kazetě automaticky smazán novým záznamem. Své nahrávky však můžete chránit před náhodným smazáním odstraněním jazýčků na zadní straně kazety.



JAZÝČEK MAZÁNÍ PRO STRANU „A“

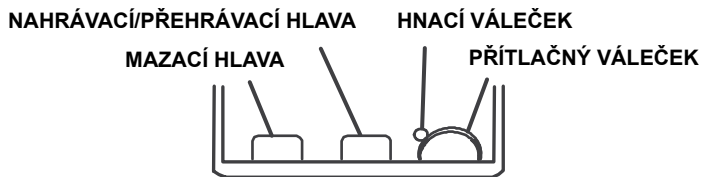
Když kazetu držíte nahranou stranou nejvýše a odkrytým páskem směřujícím dopředu, najdete ochranný jazýček v levé zadní části kazety.

Všechny předem nahrané kazety jsou tímto způsobem chráněny proti náhodnému smazání. „Chráněné“ kazety znemožní stisknutí tlačítka nahrávání. Jestliže chcete nahrávat a zjistíte, že toto tlačítko nelze stisknout, nikdy se ho nepokoušejte zmáčknout násilím, jinak dojde k poškození mechanismu. Zkontrolujte, zda byla kazeta řádně vložena nebo zda nebyly odstraněny ochranné jazýčky.

Nahrávání na kazetě s odstraněnými jazýčky provedete překrytím otvorů po jazýčkách kouskem lepicí pásky.

## PÉČE O KAZETOVÝ MECHANISMUS

Opatrně očistěte kazetovou hlavu a celky přítlačného kolečka/hnacího válečku po každých 10 hodinách používání tohoto přístroje. Na trhu je řada čistících prostředků určených pro kazetové magnetofony.



Mazací hlava, hlava pro nahrávání/přehrávání a povrch přítlačného válečku jsou choulostivé a nesmí přijít do styku s kovovými předměty, jako je například šroubovák. Čištění celků bude snadnější, když stisknete tlačítko PLAY, čímž vysunete hlavu i přítlačný váleček a budete mít tak snadnější přístup. Po vyčištění mechanismu nezapomeňte stisknout tlačítko STOP.

Pokud ponecháte přístroj v režimu PLAY (Přehrávání) s vypnutým vypínačem napájení, může dojít k poškození přítlačného kolečka.

Za žádných okolností nepromazávejte žádné části přístroje.

# POUŽÍVÁNÍ CD/MP3

## Disky pro přehrávání

Tento systém podporuje přehrávání všech digitálních zvukových disků CD, MP3, WMA, finalizovaných digitálních zvukových disků CD-R (zapisovatelné disky CD), finalizovaných digitálních zvukových disků CD-RW (přepisovatelné disky CD) a digitálních zvukových disků CD/CD-R/CD-RW ve formátu CD-DA.

## VLOŽENÍ DISKU

1. Stisknutím tlačítka STANDBY/FUNC. vyberte režim CD.
2. Otevřete dvířka CD mechaniky. Na displeji se zobrazí „OPEN“ (Otevřeno).
3. Vložte zvukový disk CD do mechaniky tak, aby byla strana s potiskem obrácena nahoru.
4. Uzavřete dvířka CD mechaniky. Po dokončení načítání se na displeji zobrazí celkový počet stop.
5. Pro vyjmutí disku CD stiskněte tlačítko STOP a otevřete víko prostoru pro CD, uchopíte disk CD za jeho okraje a opatrně jej vyjměte.

### Poznámka:

1. Pro zajištění správné funkce systému před pokračováním počkejte, dokud disková mechanika kompletně nenačte celý disk.
2. Pokud není do prostoru pro CD vložen žádný disk nebo pokud je disk vložen obráceně, zobrazí se na displeji **NO DISC** (Žádný disk).

## PŘEHŘÁVÁNÍ DISKU

**Po načtení disku přístroj automaticky spustí přehrávání.**

1. Přehrávání se spustí od stopy 1 – na displeji se zobrazí indikátor „Track 01“ (Stopa 01). Přehrávání můžete přerušit stisknutím tlačítka PLAY/PAUSE. Na displeji bude blikat indikátor „aktuálního času přehrávání“. Přehrávání obnovíte opětovným stisknutím tlačítka PLAY/PAUSE.
2. Pro zastavení přehrávání stiskněte tlačítko STOP – na displeji se zobrazí celkový počet stop.

## VÝBĚR POŽADOVANÉ STOPY/PASÁŽE

### Výběr požadované stopy

- V režimu zastaveného přehrávání nebo v režimu přehrávání stiskněte opakovaně tlačítko **◀▶** tak, aby se na displeji zobrazila požadovaná stopa.
- Stiskněte tlačítko PLAY/PAUSE pro spuštění přehrávání.

### Vyhledání konkrétní pasáže během přehrávání (prohledávání stop vysokou rychlostí)

Stiskněte a podržte tlačítko **◀▶** pro prohledávání právě přehrávané stopy vysokou rychlostí; po nalezení požadované pasáže toto tlačítko uvolněte. Znovu se spustí přehrávání z daného místa.

### Výběr skladby s číslem stopy větším než 10 (pouze pro disk MP3)

Chcete-li vybrat skladbu/stopu s číslem větším než 10, stiskněte tlačítko 10/FOLD./M.+ nebo 10/FOLD./M.- pro přeskokování dopředu/dozadu po 10 stopách, a pak stiskněte tlačítko **▶▶** nebo **◀◀** pro výběr požadované stopy. Například: pro výběr stopy 17 stiskněte tlačítko 10/FOLD./M.+ a pak ihned šestkrát tlačítko **▶▶**.

### Výběr požadované složky (pouze pro disk MP3)

(pokud disk MP3 obsahuje více než jednu složku)

Pro přeskočení na požadovanou složku během přehrávání stiskněte a podržte tlačítko 10/FOLD./M.+ nebo 10/FOLD./M.- po dobu přibližně 2 sekund – přeskočí se na další/předchozí složku.

## PROGRAMOVÁNÍ STOP

Programování stop disku lze provádět při zastaveném přehrávání. Do paměti můžete v libovolném pořadí uložit až 20 stop disku CD nebo 99 stop MP3.

1. V režimu zastaveného přehrávání stiskněte tlačítko PROG./P-MODE – rozsvítí se indikátor **P01**.
2. Stiskněte tlačítko CD ►►► nebo ◄◄◄ pro výběr první požadované stopy, kterou chcete naprogramovat.
3. Stiskněte tlačítko PROG./P-MODE pro potvrzení. Na displeji se zobrazí **P02**.
4. Opakováním kroků 2 a 3 uložte další požadované stopy, až do naprogramování všech stop.
5. Stiskněte tlačítko PLAY/PAUSE pro spuštění přehrávání od první naprogramované stopy.
6. Pro ukončení přehrávání programu stiskněte tlačítko STOP.

### Smazání paměti (program)

Program můžete smazat dvěma způsoby:

1. Stisknutím tlačítka STOP u zastaveného disku, a
2. Otevřením víka prostoru pro CD pro smazání programu.

## OPAKOVANÉ PŘEHŘÁVÁNÍ

Přístroj podporuje opakované přehrávání jedné stopy nebo všech stop na disku.

### Opakované přehrávání jedné stopy

1. Stiskněte tlačítko PROG./P-MODE jednou během přehrávání – na displeji bude blikat indikátor REP (Opakování). Aktuální stopa se bude neustále znovu a znovu přehrávat, dokud nestisknete tlačítko STOP.
2. Pro zrušení opakovaného přehrávání stiskněte opakovaně tlačítko PROG./P-MODE tak, aby zmizel indikátor REP (Opakování).

### Opakované přehrávání všech stop

1. Stiskněte tlačítko PROG./P-MODE dvakrát během přehrávání – na displeji bude svítit indikátor REP (Opakování) a všechny stopy na disku se budou neustále znovu a znovu přehrávat, dokud nestisknete tlačítko STOP.
2. Pro zrušení opakovaného přehrávání stiskněte opakovaně tlačítko PROG./P-MODE tak, aby zmizel indikátor REP (Opakování).

### Opakování aktuální složky (pouze pro MP3)

1. Stiskněte opakovaně tlačítko PROG./P-MODE v režimu přehrávání tak, aby se na displeji rozsvítila indikace „REP-ALBUM“ (Opakování alba) – aktuální složka se bude opakovaně přehrávat, dokud nestisknete tlačítko STOP.
2. Pro zrušení funkce opakování stiskněte opakovaně tlačítko PROG./P-MODE tak, aby na displeji zhasla indikace „REP-ALBUM“ (Opakování – album).

## NÁHODNÉ PŘEHŘÁVÁNÍ

Stiskněte tlačítko PROG./P-MODE v režimu přehrávání/zastavení pro aktivaci náhodného přehrávání. Na displeji se rozsvítí indikátor RDM a přehrávání se spustí od náhodně vybrané stopy (nikoli podle pořadí na disku). Pro zrušení náhodného přehrávání stiskněte znovu tlačítko **RDM**.

## PŘEHŘÁVÁNÍ Z USB

1. Stisknutím tlačítka STANDBY/FUNC. vyberte režim USB.
2. Připojte USB zařízení ke vstupu USB. Na LCD displeji se zobrazí celkový počet stop a složek uložených v USB zařízení. Po načtení USB (přístroj podporuje USB zařízení s kapacitou až 32 GB) spustí přístroj automaticky přehrávání.
3. Pro zastavení přehrávání stiskněte tlačítko ■ na přístroji. Na displeji se zobrazí celkový počet stop a složek v USB zařízení a STOP (Zastaveno).
4. Funkce opakovaného přehrávání (opakování jedné stopy – opakování složky – opakování všeho – ÚVODY), programového přehrávání, přeskakování dopředu a dozadu fungují stejně, jak je popsáno ve výše uvedené kapitole „POUŽÍVÁNÍ CD/MP3“.

### UPOZORNĚNÍ:

Nepoužívejte pro připojení USB zařízení prodlužovací USB kabel, protože by mohl způsobovat rušení.

## POUŽÍVÁNÍ BLUETOOTH

1. Stiskněte tlačítko **FUNC** na přístroji nebo na dálkovém ovladači pro přepnutí na funkci BLUETOOTH – na LCD displeji se zobrazí „bT“ a indikátor párování/pohotovostního režimu bude rychle blikat.
2. Zapněte funkci Bluetooth na zařízení, vyhledejte jednotku „**SPT 3907**“ a připojte ji; budete-li požádáni o heslo, zadejte 0000. Na displeji se zobrazí „bt“. Stiskněte tlačítko **▶II/PAIR** na přístroji nebo tlačítko přehrávání na zařízení pro spuštění přehrávání. Pokud se přístroj během 2 minut nepřipojí k příslušnému Bluetooth, stiskněte tlačítko **▶II/PAIR** na přístroji nebo tlačítko **PAIR** na dálkovém ovladači pro opětovné připojení.
3. Stisknutím tlačítka **VOLUME +/-** nastavte požadovanou hlasitost.
4. Stisknutím tlačítka **▶▶I** nebo **I◀◀** na přístroji nebo tlačítka **▶▶I** na dálkovém ovladači vyberte požadovanou stopu.
5. Pro zastavení přehrávání stiskněte tlačítko **▶II/PAIR** na přístroji nebo tlačítko **▶II** na dálkovém ovladači.

**Poznámka:** Funkce Bluetooth funguje nejlépe v dosahu 10 metrů.

## POUŽÍVÁNÍ EXTERNÍHO VSTUPU

Tento přístroj je vybaven 3,5mm konektorem externího vstupu AUX IN, jehož prostřednictvím můžete k tomuto přístroji připojit a zesílit další zdroje zvuku.

1. Stisknutím tlačítka **STANDBY/FUNC** vyberte režim **AUX** (Externí vstup).
2. Připojte jeden konec audio kabelu ke konektoru **AUX IN** a druhý konec ke konektoru **AUDIO OUT** na externím zdroji zvuku.
3. Nastavte hlasitost na přístroji na požadovanou úroveň.
4. Pro spuštění přehrávání stiskněte tlačítko **PLAY** na externím zdroji zvuku (např. MP3 přehrávač).



# TECHNICKÉ ÚDAJE

## OBECNÉ

Požadavky na napájení	AC 100–240 V~, 60/50 Hz DC 9 V UM-1 × 6 KS
Spotřeba energie	14 W
Hmotnost	Přibl. 1,7 kg
Rozměry	Přibl. 280 mm (Š) × 210 mm (H) × 140 mm (V)
Provozní teplota	+5–35 °C

## PŘIJÍMAČ

Frekvenční rozsah FM	87,5–108 MHz
----------------------	--------------

## KOMPAKTNÍ DISK

Optický snímač	Laser se 3 paprsky
Frekvenční odezva	100 Hz–16 kHz

## KAZETOVÝ MAGNETOFON

Systém předmagnetizace (Bias)	Stejnoseměrná předmagnetizace (DC Bias)
Frekvenční odezva	125 Hz–4 kHz
Kolísání a chvění	0,4 % WRMS (JIS)

## ZVUK

Výstupní výkon	2 W × 2 (RMS)
----------------	---------------

## Bluetooth

	V5.0
--	------

## PŘÍSLUŠENSTVÍ

Návod k obsluze	1
Síťový kabel	1
Dálkový ovladač	1

### Poznámka:

Technické údaje se z důvodu neustálého vylepšování mohou změnit, a proto si vyhrazujeme právo provádět úpravy bez předchozího upozornění.

# POKYNY A INFORMACE K LIKVIDACI VYŘAZENÝCH OBALOVÝCH MATERIÁLŮ

Obalový materiál odevzdejte k likvidaci do sběrného dvora.



## LIKVIDACE VYŘAZENÝCH ELEKTRICKÝCH A ELEKTRONICKÝCH ZAŘÍZENÍ

Tento symbol umístěný na produktu, příslušenství nebo obalu upozorňuje na to, že s produktem nesmí být nakládáno jako s běžným domácím odpadem. Zlikvidujte prosím tento produkt ve sběrném dvoře určeném k recyklaci elektrických a elektronických zařízení. V některých státech Evropské unie nebo v některých evropských zemích můžete při nákupu ekvivalentního nového produktu vrátit vaše produkty místnímu prodejci. Správnou likvidací tohoto produktu pomáháte chránit cenné přírodní zdroje a předcházet možným negativním dopadům na životní prostředí a lidské zdraví, ke kterým by mohlo dojít v důsledku nesprávné likvidace odpadu. Další podrobnosti vám poskytnou místní úřady nebo nejbližší sběrný dvůr pro likvidaci odpadu. Nesprávná likvidace tohoto typu odpadu může být předmětem udělení pokuty ze zákona.

### Pro firmy v Evropské unii

Pokud potřebujete zlikvidovat elektrické nebo elektronické zařízení, požádejte vašeho prodejce nebo dodavatele o nezbytné informace.

### Likvidace v zemích mimo Evropskou unii

Pokud chcete tento produkt zlikvidovat, požádejte o nezbytné informace o správném způsobu likvidace místní úřady nebo vašeho prodejce.



Tento produkt splňuje požadavky EU.

Tímto společnost FAST ČR, a. s. prohlašuje, že rádiové zařízení typu SPT 3907 vyhovuje směrnici 2014/53/EU. Celý text prohlášení o shodě EU je k dispozici na následující internetové adrese: [sencor.cz](http://sencor.cz)

Text, design a technické údaje se mohou změnit bez předchozího upozornění a vyhrazujeme si právo provádět tyto změny.

Originální verze je v českém jazyce.

Adresa výrobce:

FAST ČR, a. s., Černokostelecká 1621, Říčany CZ-251 01

# SENCOR®

## CZ Záruční podmínky

**Součástí balení tohoto výrobku není záruční list.**

Prodávající poskytuje kupujícímu na výrobek záruku v trvání 24 měsíců od převzetí výrobku kupujícím. Záruka se poskytuje za dále uvedených podmínek. Záruka se vztahuje pouze na nové spotřební zboží prodané spotřebiteli pro běžné domácí použití. Práva z odpovědnosti za vady (reklamaci) může kupující uplatnit buď u prodávajícího, u kterého byl výrobek zakoupen nebo v níže uvedeném autorizovaném servisu. Kupující je povinen reklamaci uplatnit bez zbytečného odkladu, aby nedocházelo ke zhoršení vady, nejpozději však do konce záruční doby. Kupující je povinen poskytnout při reklamaci součinnost nutnou pro ověření existence reklamované vady. Do reklamačního řízení se přijímá pouze kompletní a z důvodů dodržení hygienických předpisů neznečištěný výrobek. V případě oprávněné reklamace se záruční doba prodlužuje o dobu od okamžiku uplatnění reklamace do okamžiku převzetí opraveného výrobku kupujícím nebo okamžiku, kdy je kupující po skončení opravy povinen výrobek převzít. Kupující je povinen prokázat svá práva reklamovat (doklad o zakoupení výrobku, záruční list, doklad o uvedení výrobku do provozu).

### **Záruka se nevztahuje zejména na:**

- vady, na které byla poskytnuta sleva;
- opotřebení a poškození vzniklé běžným užíváním výrobku;
- poškození výrobku v důsledku neodborné či nesprávné instalace, použití výrobku v rozporu s návodem k použití, platnými právními předpisy a obecně známými a obvyklými způsoby používání, v důsledku použití výrobku k jinému účelu, než ke kterému je určen;
- poškození výrobku v důsledku zanedbané nebo nesprávné údržby;
- poškození výrobku způsobené jeho znečištěním, nehodou a zásahem vyšší moci (živelná událost, požár, vniknutí vody);
- vady funkčnosti výrobku způsobené nevhodnou kvalitou signálu, rušivým elektromagnetickým polem apod. mechanické poškození výrobku (např. ulomení knoflíku, pád);
- poškození způsobené použitím nevhodných médií, náplní, spotřebního materiálu (baterie) nebo nevhodnými provozními podmínkami (např. vysoké okolní teploty, vysoká vlhkost prostředí, otřesy);
- poškození, úpravu nebo jiný zásah do výrobku provedený neoprávněnou nebo neautorizovanou osobou (servísem);
- případy, kdy kupující při reklamaci neprokáže oprávněnost svých práv (kdy a kde reklamovaný výrobek zakoupil);
- případy, kdy se údaje v předložených dokladech liší od údajů uvedených na výrobku;
- případy, kdy reklamovaný výrobek nelze ztotožnit s výrobkem uvedeným v dokladech, kterými kupující prokazuje svá práva reklamovat (např. poškození výrobního čísla nebo záruční plomba přístroje, přepisované údaje v dokladech).

### **Gestor servisu v ČR:**

**FAST ČR, a.s., Černokostecká 1621, 251 01 Říčany; tel: 323 204 120**

**FAST ČR, a.s., Cejl 31, 602 00 Brno; tel: 531 010 295**

Více autorizovaných servisních středisek pro ČR naleznete na [www.sencor.cz](http://www.sencor.cz).

**DÔLEŽITÉ:** Prečítajte si pred použitím a uschovajte na neskoršie použitie.

## DÔLEŽITÉ POZNÁMKY

### ÚVOD

- Ďakujeme vám za kúpu tohto produktu.
- Prečítajte si, prosím, pozorne tento návod na obsluhu, aby ste sa naučili toto zariadenie správne používať. Po prečítaní uložte návod na obsluhu na bezpečné miesto na neskoršie použitie.

### VAROVANIE

Aby ste predišli nebezpečenstvu požiaru alebo úrazu elektrickým prúdom, nevystavujte tento prístroj dažďu ani vlhkosti. Aby nedošlo k úrazu elektrickým prúdom, neotvárajte skrinku prístroja; zverte opravy výhradne kvalifikovaným servisným technikom.

### UPOZORNENIE

Použitie ovládacích prvkov, nastavovanie prístroja alebo vykonávanie postupov v rozpore s tu uvedenými pokynmi môže mať za následok vystavenie účinkom nebezpečného žiarenia.

### NEBEZPEČENSTVO

V prípade otvorenia a zlyhania alebo vyradenia bezpečnostných mechanizmov hrozí nebezpečenstvo neviditeľného laserového žiarenia. Nevystavujte sa priamemu pôsobeniu laserového lúča.



Tento prehrávač kompaktných diskov je klasifikovaný ako LASEROVÝ PRODUKT Triedy 1. Označenie CLASS 1 LASER PRODUCT (Laserový produkt triedy 1) je umiestnené na zadnej vonkajšej strane.

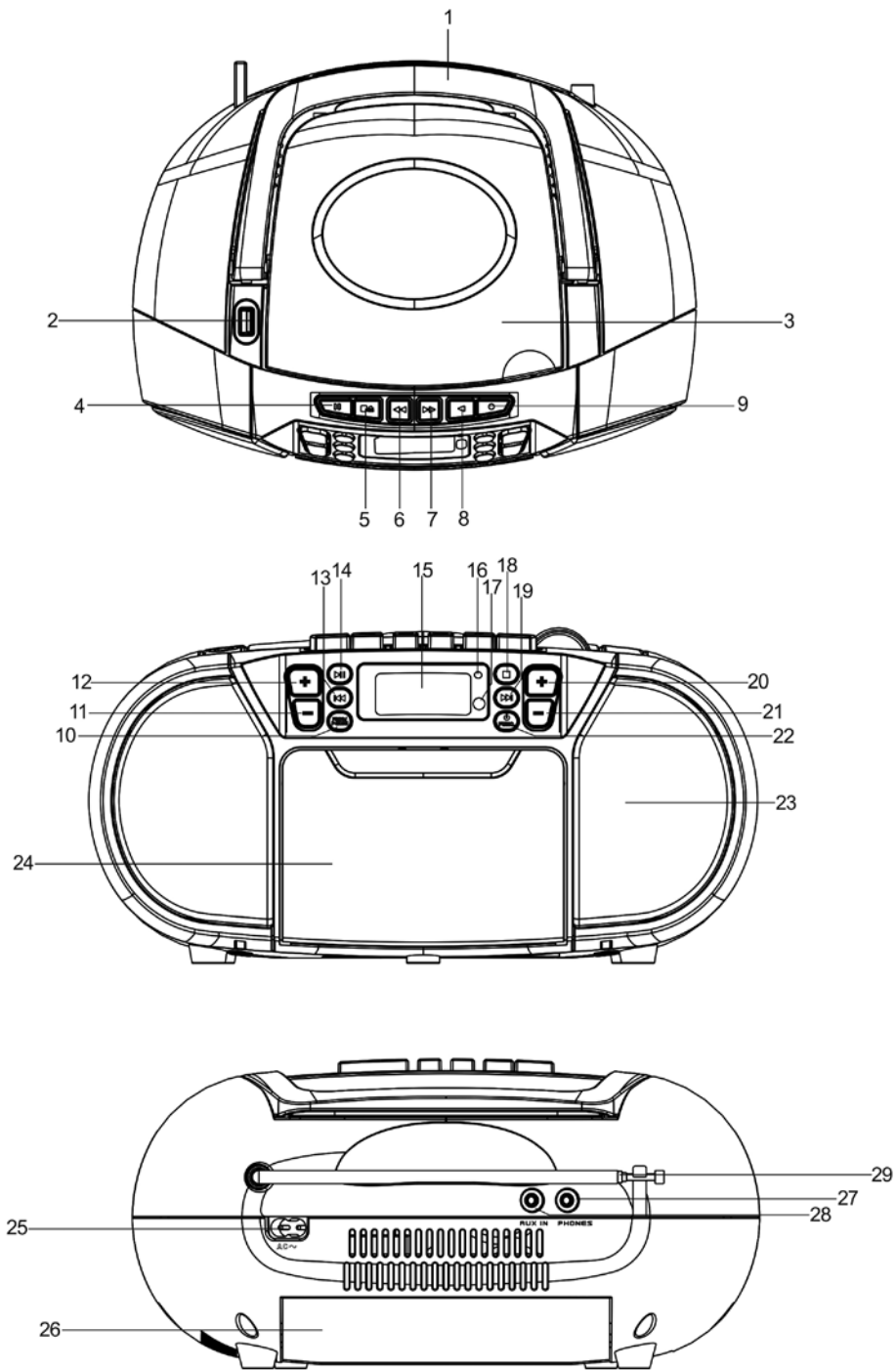
- Neinštalujte tento prístroj do nasledujúcich miest:
  1. Miesta vystavené priamemu slnečnému svetlu alebo miesta v blízkosti spotrebičov vyžarujúcich teplo, ako sú napríklad elektrické ohrievacie telesá alebo umiestnenie na iné stereo zariadenia vyžarujúce príliš mnoho tepla.
  2. Miesta s nedostatočným odvetrávaním alebo prašné miesta.
  3. Miesta vystavené nepretržitým vibráciám.
  4. Vlhké alebo mokré miesta.
- Ovládacie prvky ladenia a prepínače používajte podľa pokynov v návode.
- Pred prvým zapnutím napájania zaistite, aby bol správne pripojený napájací kábel.
- Kazety a disky CD uložte na chladné miesto, aby nedošlo k ich poškodeniu teplom.

### UPOZORNENIE:

ABY STE ZNÍŽILI NEBEZPEČENSTVO ÚRAZU ELEKTRICKÝM PRÚDOM, NEODSTRAŇUJTE KRYT ANI ZADNÚ ČASŤ PRÍSTROJA. VNÚTRI NIE SÚ ŽIADNE DIELY, KTORÉ BY STE MOHLI SAMI OPRAVIŤ – PRENEHAJTE OPRAVY KVALIFIKOVANÝM SERVISNÝM TECHNIKOM.

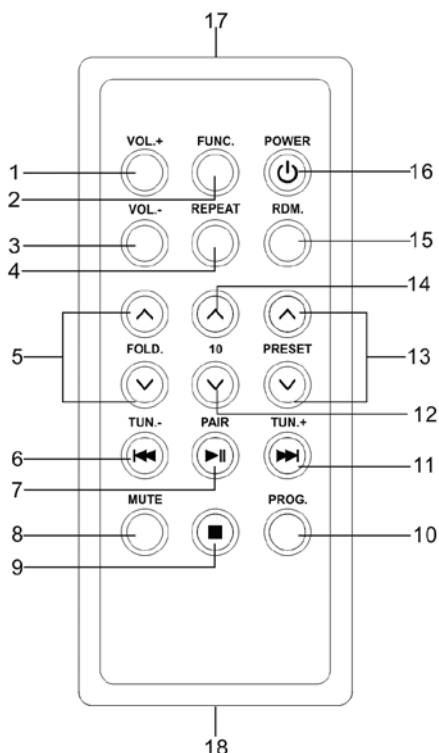
### VAROVANIE:

- Ak sú batérie vybité alebo ak ich nebudete dlhší čas používať, vyberte ich, prosím, z prístroja.
- Nesprávne použitie batérií môže mať za následok únik elektrolytu a koróziu priestoru na batérie alebo prasknutie obalu batérií, a preto:
  - Nekombinujte rôzne typy batérií, napr. alkalické batérie so zinkovo-uhlíkovými batériami.
  - Ak vymieňate batérie za nové, vymeňte ich všetky súčasne.



## NÁZVY OVLÁDACÍCH PRVKOV

1. SKLADACIA RUKOVÄŤ
2. PORT USB
3. DVIERKA CD MECHANIKY
4. TLAČIDLO CASSETTE PAUSE (Pauza kazety)
5. TLAČIDLO CASSETTE STOP/EJECT (Zastavenie/Vysunutie kazety)
6. TLAČIDLO CASSETTE FAST FORWARD (Rýchle prehrávanie kazety dopredu)
7. TLAČIDLO CASSETTE REWIND (Pretáčanie kazety dozadu)
8. TLAČIDLO CASSETTE PLAY (Prehrávanie kazety)
9. TLAČIDLO CASSETTE RECORD (Nahrávanie na kazetu)
10. TLAČIDLO PROG./P-MODE (Program/Režim P)
11. TLAČIDLO 10/FOLD./M.- (10/Priečink/Pamät'-)
12. TLAČIDLO 10/FOLD./M.+ (10/Priečink/Pamät'+)
13. TLAČIDLO ◀◀
14. TLAČIDLO PLAY/PAUSE/PAIR (Prehrávanie/Pauza/Spárovanie)
15. LCD DISPLEJ
16. INDIKÁTOR POHOTOVOSTNÉHO REŽIMU
17. PRIJÍMAČ IČ
18. TLAČIDLO STOP (Zastavenie)
19. TLAČIDLO ▶▶
20. TLAČIDLO VOLUME+ (Hlasitosť+)
21. TLAČIDLO VOLUME- (Hlasitosť-)
22. TLAČIDLO FUNCTION/STANDBY (Funkcia/Pohotovostný režim)
23. REPRODUKTOR
24. DVIERKA PRIESTORU PRE KAZETU
25. ZDIERKA AC (SIEŤOVÉ NAPÁJANIE)
26. PRIESTOR NA BATÉRIE
27. KONEKTOR PHONE (Slúchadlá)
28. KONEKTOR AUX IN (Externý vstup)
29. TELESKOPICKÁ FM ANTÉNA



## DIAL'KOVÝ OVLÁDAČ

1. VOL+ (Hlasitosť +)
2. FUNCTION (Funkcia)
3. VOL- (Hlasitosť-)
4. REPEAT (Opakovanie)
5. FOLDER UP & DOWN (Priečink hore a dole)
6. PREVIOUS/REVERSE (Predchádzajúci/Dozadu) a TUN- (Ladenie-)
7. PLAY/PAUSE/PAIR (Prehrávanie/Pauza/Spárovanie)
8. MUTE (Stlmenie)
9. STOP (Zastavenie)
10. PROG. (Program)
11. NEXT/FORWARD (Ďalej/Dopredu) a TUN+ (Ladenie+)
12. -10
13. PRESET UP & DOWN (Predvoľba hore a dole)
14. +10
15. RDM. (Náhodné prehrávanie)
16. STANDBY (POWER) (Pohotovostný režim/Napájanie)
17. Vysielač diaľkového ovládania
18. Priestor na batérie

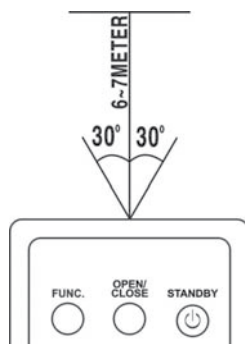
### Poznámka:

Pred prvým použitím, prosím, odstráňte z priestoru na batérie plastový chránič.

## OVĽÁDANIE DIAL'KOVÝM OVĽÁDAČOM

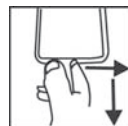
Na ovládanie tohto prístroja diaľkovým ovládačom nasmerujte **vysielací diaľkového ovládania** [17] diaľkového ovládača na IČ snímač na prednom zobrazovacom paneli prístroja. Stlačte tlačidlá na diaľkovom ovládači na ovládanie.

Diaľkový ovládač funguje najlepšie vo vzdialenosti maximálne 5 metrov a pod uhlom maximálne 30 stupňov voči akejkoľvek strane snímača. Jasné slnečné svetlo alebo iné osvetlenie v miestnosti môžu brániť správnej funkcii diaľkového ovládania. Ak diaľkové ovládanie nefunguje dobre alebo sa úplne zastaví, skúste vložiť do diaľkového ovládača novú batériu alebo zatemniť miestnosť.



## VÝMENA BATÉRIE V DIAL'KOVOM OVĽÁDAČI

- Diaľkový ovládač obsahuje jednu lítičovú batériu CR2025 (3 V). Pred prvým použitím diaľkového ovládača odstráňte z priestoru pre batériu plastový chránič.
- Pre výmenu batérie jemne zatlačte svorku doprava a potom vysuňte držiak priestoru pre batériu. Vyberte starú batériu a vložte do držiaka novú lítičovú batériu (typu CR-2025). Kladná strana batérie musí byť obrátená hore.
- Zasuňte držiak späť do priestoru tak, aby svorka zacvakla do správnej polohy.



## ZDROJ ENERGIE

Tento prístroj je navrhnutý na napájanie striedavým aj jednosmerným napätím.

### NAPÁJANIE ZO SIETE

Pripojte jeden koniec sieťového napájacieho kábla do zdievky AC na prístroji a druhý koniec pripojte do sieťovej zásuvky v domácnosti.

Batéria sa automaticky odpojí.

### NAPÁJANIE Z BATÉRIÍ

Otvorte DVIERKA PRIESTORU NA BATÉRIE. Vložte do tohto priestoru 6 batérií UM-1/D (nie sú súčasťou príslušenstva). Dodržte, prosím, vyznačenú polaritu.

### UPOZORNENIE

- Vyberte batérie, ak sú vybité alebo ak ste ich dlho používali.
- Batérie obsahujú chemické látky a preto je pri ich likvidácii nutné postupovať podľa predpisov.

# ZÁKLADNÉ FUNKCIE

## ZAPNUTIE PRÍSTROJA

Po pripojení napájania stlačte tlačidlo STANDBY/FUNC. na zapnutie prístroja a potom stlačte znovu tlačidlo STANDBY/FUNC. na výber režimu CD/USB/KAZETOVÝ MAGNETOFÓN alebo FM.

### POZNÁMKA:

Keď prístroj v režime CD/USB/MP3/AUX nepoužíva 15 minút hlavnú funkciu, automaticky sa prepne do pohotovostného režimu. Keď je prístroj v režime kazetového magnetofónu a 15 minút nepoužíva kazetu, automaticky sa prepne do pohotovostného režimu. Na opätovné zapnutie prístroja stlačte tlačidlo „STANDBY/FUNC.“ alebo prístroj odpojte a znovu pripojte.

**Tipy pre elektrostatický výboj** – V dôsledku elektrostatického výboja môže dôjsť k resetovaniu ovládania prístroja – v takom prípade prístroj vypnite, odpojte, znovu pripojte a zapnite.

## NASTAVENIE HLASITOSTI

Na zvýšenie alebo zníženie hlasitosti stlačte tlačidlo VOL. +/-.

## KONEKTOR PRE SLÚCHADLÁ

Ak chcete počúvať hudbu v súkromí, pripojte 3,5 mm konektor slúchadiel (nie sú súčasťou príslušenstva) do konektora HEADPHONE. REPRODUKTOR sa automaticky odpojí.

### UPOZORNENIE:

DLHODOBÉ HLASITÉ POČÚVANIE PÔSOBÍ NEPRIAZNIVO NA ĽUDSKÝ SLUCH.

# POUŽÍVANIE RÁDIA

## LADENIE STANÍC RÁDIA

1. Stlačením tlačidla STANDBY/FUNC. vyberte režim rádia: Režim FM.
2. Naladte požadovanú stanicu stlačením tlačidla ►► alebo ◄◄ – frekvencia stanice sa zobrazí na displeji.
3. Stlačením tlačidla VOL.+/- nastavte hlasitosť na príjemnú úroveň.
4. Na optimalizáciu príjmu pri počúvaní staníc v pásme FM rozviňte teleskopickú anténu na jej plnú dĺžku. Opatrne posuňte prístroj dozadu a dopredu na dosiahnutie najlepšieho príjmu pri počúvaní stanice v pásme FM, alebo postavte prístroj do otvoreného priestoru. Pri prijímaní stereo signálu bude na displeji svietiť ST.

## AUTOMATICKÉ ULOŽENIE STANÍC NA PREDVOĽBY

Na vyhľadanie a automatické uloženie staníc do pamäte predvoľieb stlačte a podržte tlačidlo **PLAY/PAUSE**. Akákoľvek stanica s dostatočne silným signálom bude uložená do pamäte predvoľieb.

Prístroj po dokončení vyhľadávania automaticky naladí predvoľbu stanice číslo 1 (P01).

Na naladenie ďalšej alebo predchádzajúcej predvoľby stanice stlačte tlačidlo **M.+/M.-** na prechod na ďalšiu alebo predchádzajúcu predvoľbu stanice.

## RUČNÉ ULOŽENIE STANÍC NA PREDVOĽBY

Do pamäte môžete vopred uložiť 30 preferovaných staníc rádia.

1. Naladte stanicu, ktorú chcete uložiť pod predvoľbu, stlačením tlačidla ►► alebo ◄◄.
2. Stlačte tlačidlo **PROG.** na prístroji – indikátor PROG začne blikať a na displeji sa zobrazí „P01“ na indikáciu ukladania stanice pod pamäťovú predvoľbu 01. Na zmenu sekvencie pamäťovej predvoľby stlačte tlačidlo **M.+** alebo **M.-** a potom znovu stlačte tlačidlo **PROG.** na prístroji na potvrdenie.



3. Vyhľadajte ďalšiu stanicu a opakujte kroky (1) a (2), kým neuložíte všetky požadované stanice. Môžete naprogramovať až 30 staníc v pásme FM.
4. Na naladenie ďalšej alebo predchádzajúcej predvoľby stanice stlačte najprv tlačidlo **PROG.** a potom hneď stlačte tlačidlo **M.+** alebo **M.-** na prechod na ďalšiu alebo predchádzajúcu predvoľbu stanice.

## POUŽÍVANIE KAZETOVÉHO MAGNETOFÓNU

### POPIS FUNKCIÍ TLAČIDIEL

**PLAY (Prehrávanie)** – Stlačte na prehrávanie kaziet.

**REWIND (Pretáčanie dozadu)** – V režime zastavenia stlačte na pretočenie kazety na začiatok.

**F.FWD (Rýchle pretáčanie dopredu)** – V režime zastavenia stlačte na pretočenie kazety smerom ku koncu.

**STOP/EJ. (Zastavenie/Mysunutie)** – Stlačte na zastavenie aktuálnej operácie kazety alebo na otvorenie dvierok priestoru na kazetu, keď nie sú aktívne žiadne tlačidlá.

**PAUSE (Pauza)** – Stlačte na prerušenie prehrávania kazety alebo režimu nahrávania. Stlačte druhýkrát na obnovenie prehrávania kazety alebo režimu nahrávania na kazetu.

### PREHRÁVANIE KAZETY

1. Stlačením tlačidla **STANDBY/FUNC.** vyberte režim **KAZETOVÝ MAGNETOFÓN.**
2. Stlačte tlačidlo **STOP/EJ.** Na otvorenie dvierok priestoru na kazetu.
3. Vložte kazetu do priestoru na kazetu s otvoreným okrajom obráteným hore a navinutou cievkou vpravo.
4. Uzavrite bezpečne dvierka.
5. Stlačte tlačidlo **REWIND** alebo **F.FWD** na posunutie kazety na požadovaný štartovací bod.
6. Stlačte tlačidlo **PLAY** na spustenie prehrávania kazety.
7. Nastavte hlasitosť na požadovanú úroveň počúvania.

### FUNKCIA AUTOMATICKÉHO VYPNUTIA

Keď je kazetový magnetofón v režime prehrávania alebo nahrávania a dosiahne sa koniec kazety, prístroj sa automaticky vypne a vráti všetky tlačidlá do polohy vypnuté.

### NAHRÁVANIE Z RÁDIA

1. Vložte do priestoru na kazetu prázdnu kazetu a uzavrite dvierka.
2. Nastavte prepínač **FUNCTION** do polohy **RADIO (Rádio).** Naladte požadovanú stanicu otočením ovládača **TUNING.**
3. Stlačte tlačidlo **RECORD** na spustenie nahrávania. Tlačidlo **RECORD** a tlačidlo **PLAY** sa stlačí súčasne.
4. Stlačte tlačidlo **STOP/EJ.** na ukončenie nahrávania.
5. Na počúvanie nahrávky postupujte podľa pokynov v časti **PREHRÁVANIE Z KAZETY.**

### POZNÁMKA:

**CHVÍLKOVÁ PAUZA** – Použitie tlačidla **PAUSE** na kazetovom magnetofóne namiesto tlačidla **STOP/EJ.** na chvilkové prerušenie nahrávania poskytuje omnoho čistejšiu nahrávku. Stlačte znovu tlačidlo **PAUSE** na obnovenie nahrávania.

### NAHRÁVANIE Z DISKU CD

1. Vložte do priestoru na kazetu prázdnu kazetu.
2. Posuňte prepínač **FUNCTION** do polohy **CD/AUX (CD/Externý vstup).**
3. Vložte disk **CD** a vyberte požadovanú stopu, ktorú chcete nahrat'.
4. Stlačte tlačidlo **CD PLAY/PAUSE** na spustenie prehrávania. Stlačte tlačidlo **RECORD** na spustenie nahrávania.

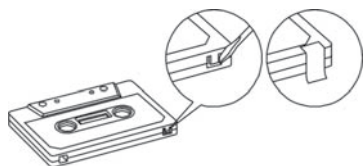
- Tlačidlo RECORD a tlačidlo PLAY sa stlačí súčasne.
5. Stlačte tlačidlo PAUSE na prerušenie alebo úpravu nahrávania. Ďalším stlačením tohto tlačidla môžete nahrávanie obnoviť.
  6. Stlačte tlačidlo STOP/EJ. Na ukončenie nahrávania.
  7. Na počúvanie nahrávky postupujte podľa pokynov v časti PREHRÁVANIE Z KAZETY.

## TYPY KAZIET

Záznamy vytvárajte iba na kvalitné kazety (IEC TYPE 1). Kazety iných typov je možné v prístroji prehrávať, no na tieto špeciálne kazety nie je možné zhotovovať vyhovujúce nahrávky. NEODPORUČAME používať v tomto prístroji kazety C120.

## OCHRANA NAHRÁVKY

Za normálnych okolností sa akýkoľvek záznam na kazete automaticky zmaže novým záznamom. Svoje nahrávky však môžete chrániť pred náhodným zmazaním odstránením jazýčkov na zadnej strane kazety.



JAZÝČEK MAZANIA PRE STRANU „A“

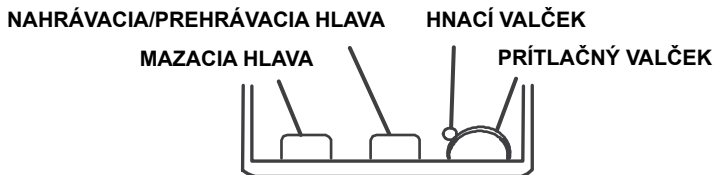
Keď kazetu držíte nahratou stranou najvyššie a odkrytou páskou smerujúcou dopredu, nájdete ochranný jazýček v ľavej zadnej časti kazety.

Všetky dopredu nahrané kazety sú týmto spôsobom chránené proti náhodnému zmazaniu. „Chránené“ kazety znemožnia stlačenie tlačidla nahrávania. Ak chcete nahrávať a zistíte, že toto tlačidlo nie je možné stlačiť, nikdy sa ho nepokúšajte stlačiť násilím, inak dôjde k poškodeniu mechanizmu. Skontrolujte, či bola kazeta riadne vložená alebo či neboli odstránené ochranné jazýčky.

Nahrávanie na kazete s odstránenými jazýčkami vykonáte prekrytím otvorov po jazýčkoch kúskom lepiacej pásky.

## STAROSTLIVOSŤ O KAZETOVÝ MECHANIZMUS

Opatrne očistite kazetovú hlavu a celky prítláčného kolieska/hnacieho valčeka po každých 10 hodinách používania tohto prístroja. Na trhu je rad čistiacich prostriedkov určených pre kazetové magnetofóny.



Mazacia hlava, hlava na nahrávanie/prehrávanie a povrch prítláčného valčeka sú chýlostivé a nesmú prísť do styku s kovovými predmetmi, ako je napríklad skrutkovač. Čistenie celkov bude jednoduchšie, keď stlačíte tlačidlo PLAY, čím vysuniete hlavu aj prítláčny valček a budete mať tak jednoduchší prístup. Po vyčistení mechanizmu nezabudnite stlačiť tlačidlo STOP.

Ak ponecháte prístroj v režime PLAY (Prehrávanie) s vypnutým vypínačom napájania, môže dôjsť k poškodeniu prítláčného kolieska.

Za žiadnych okolností nepremazávajú žiadne časti prístroja.

## Disky na prehrávanie

Tento systém podporuje prehrávanie všetkých digitálnych zvukových diskov CD, MP3, WMA, finalizovaných digitálnych zvukových diskov CD-R (zapisovateľné disky CD), finalizovaných digitálnych zvukových diskov CD-RW (prepisovateľné disky CD) a digitálnych zvukových diskov CD/CD-R/CD-RW vo formáte CD-DA.

## VLOŽENIE DISKU

1. Stlačením tlačidla STANDBY/FUNC. vyberte režim CD.
2. Otvorte dvierka CD mechaniky. Na displeji sa zobrazí „OPEN“ (Otvorené).
3. Vložte zvukový disk CD do mechaniky tak, aby bola strana s potlačou obrátená hore.
4. Uzavrite dvierka CD mechaniky. Po dokončení načítania sa na displeji zobrazí celkový počet stôp.
5. Na vybratie disku CD stlačte tlačidlo STOP a otvorte veko priestoru na CD, uchopte disk CD za jeho okraje a opatrne ho vyberte.

### Poznámka:

1. Na zaistenie správnej funkcie systému pred pokračovaním počkajte, kým disková mechanika kompletne nenačíta celý disk.
2. Ak nie je do priestoru na CD vložený žiadny disk alebo ak je disk vložený obráteno, zobrazí sa na displeji **NO DISC** (Žiadny disk).

## PREHRÁVANIE DISKU

**Po načítaní disku prístroj automaticky spustí prehrávanie.**

1. Prehrávanie sa spustí od stopy 1 – na displeji sa zobrazí indikátor „Track 01“ (Stopa 01). Prehrávanie môžete prerušiť stlačením tlačidla PLAY/PAUSE. Na displeji bude blikať indikátor „aktuálneho času prehrávania“. Prehrávanie obnovíte opätovným stlačením tlačidla PLAY/PAUSE.
2. Na zastavenie prehrávania stlačte tlačidlo STOP – na displeji sa zobrazí celkový počet stôp.

## VOĽBA POŽADOVANEJ STOPY/PASÁŽE

### Voľba požadovanej stopy

- V režime zastaveného prehrávania alebo v režime prehrávania stlačte opakovane tlačidlo **◀◀** / **▶▶** tak, aby sa na displeji zobrazila požadovaná stopa.
- Stlačte tlačidlo PLAY/PAUSE na spustenie prehrávania.

### Vyhľadanie konkrétnej pasáže počas prehrávania (prehľadávanie stôp vysokou rýchlosťou)

Stlačte a podržte tlačidlo **◀◀** / **▶▶** na prehľadávanie práve prehrávanej stopy vysokou rýchlosťou; po nájdení požadovanej pasáže toto tlačidlo uvoľnite. Znovu sa spustí prehrávanie z daného miesta.

### Výber skladby s číslom stopy väčším než 10(iba na disk MP3)

Ak chcete vybrať skladbu/stopu s číslom väčším než 10, stlačte tlačidlo 10/FOLD./M.+ alebo 10/FOLD./M.- na preskakovanie dopredu/dozadu po 10 stopách, a potom stlačte tlačidlo **▶▶** alebo **◀◀** na výber požadovanej stopy. Napríklad: na výber stopy 17 stlačte tlačidlo 10/FOLD./M.+ a potom ihneď šesťkrát tlačidlo **▶▶**.

### Výber požadovaného priečinka (iba na disk MP3)

(ak disk MP3 obsahuje viac než jeden priečinok)

Na preskočenie na požadovaný priečinok počas prehrávania stlačte a podržte tlačidlo 10/FOLD./M.+ alebo 10/FOLD./M.- približne 2 sekundy – preskočí sa na ďalší/predchádzajúci priečinok.

## PROGRAMOVANIE STÔP

Programovanie stôp disku je možné vykonávať pri zastavenom prehrávaní. Do pamäte môžete v ľubovoľnom poradí uložiť až 20 stôp disku CD alebo 99 stôp MP3.

1. V režime zastaveného prehrávania stlačte tlačidlo PROG./P-MODE – rozsvieti sa indikátor **P01**.
2. Stlačte tlačidlo CD ►►I alebo I◄◄ na výber prvej požadovanej stopy, ktorú chcete naprogramovať.
3. Stlačte tlačidlo PROG./P-MODE na potvrdenie. Na displeji sa zobrazí **P02**.
4. Opakovaním krokov 2 a 3 uložte ďalšie požadované stopy, až do naprogramovania všetkých stôp.
5. Stlačte tlačidlo PLAY/PAUSE na spustenie prehrávania od prvej naprogramovanej stopy.
6. Na ukončenie prehrávania programu stlačte tlačidlo STOP.

### Zmazanie pamäte (program)

Program môžete zmazať dvoma spôsobmi:

1. Stlačením tlačidla STOP pri zastavenom disku, a
2. Otvorením veka priestoru na CD na zmazanie programu.

## OPAKOVANÉ PREHRÁVANIE

Prístroj podporuje opakované prehrávanie jednej alebo všetkých stôp na disku.

### Opakované prehrávanie jednej stopy

1. Stlačte tlačidlo PROG./P-MODE jedenkrát počas prehrávania – na displeji bude blikať indikátor REP (Opakovanie). Aktuálna stopa sa bude neustále znovu a znovu prehrávať, kým nestlačíte tlačidlo STOP.
2. Na zrušenie opakovaného prehrávania stlačte opakovane tlačidlo PROG./P-MODE tak, aby zmizol indikátor REP (Opakovanie).

### Opakované prehrávanie všetkých stôp

1. Stlačte tlačidlo PROG./P-MODE dvakrát počas prehrávania – na displeji bude svietiť indikátor REP (Opakovanie) a všetky stopy na disku sa budú neustále znovu a znovu prehrávať, kým nestlačíte tlačidlo STOP.
2. Na zrušenie opakovaného prehrávania stlačte opakovane tlačidlo PROG./P-MODE tak, aby zmizol indikátor REP (Opakovanie).

### Opakovanie aktuálneho priečinka (iba na MP3)

1. Stlačte opakovane tlačidlo PROG./P-MODE v režime prehrávania tak, aby sa na displeji rozsvietila indikácia „REP-ALBUM“ (Opakovanie albumu) – aktuálny priečinok sa bude opakovane prehrávať, kým nestlačíte tlačidlo STOP.
2. Na zrušenie funkcie opakovania stlačte opakovane tlačidlo PROG./P-MODE tak, aby na displeji zhasla indikácia „REP-ALBUM“ (Opakovanie – album).

## NÁHODNÉ PREHRÁVANIE

Stlačte tlačidlo PROG./P-MODE v režime prehrávania/zastavenia na aktiváciu náhodného prehrávania. Na displeji sa rozsvieti indikátor RDM a prehrávanie sa spustí od náhodne vybranej stopy (nie podľa poradia na disku). Na zrušenie náhodného prehrávania stlačte znovu tlačidlo **RDM**.

## PREHRÁVANIE Z USB

1. Stlačením tlačidla STANDBY/FUNC. vyberte režim USB.
2. Pripojte USB zariadenie k vstupu USB. Na LCD displeji sa zobrazí celkový počet stôp a priečinkov uložených v USB zariadení. Po načítaní USB (prístroj podporuje USB zariadenie s kapacitou až 32 GB) spustí prístroj automaticky prehrávanie.
3. Na zastavenie prehrávania stlačte tlačidlo ■ na prístroji. Na displeji sa zobrazí celkový počet stôp a priečinkov v USB zariadení a STOP (Zastavené).

4. Funkcia opakovaného prehrávania (opakovanie jednej stopy – opakovanie priečinka – opakovanie všetkého – ÚVODY), programového prehrávania, preskakovanie dopredu a dozadu fungujú rovnako, ako je popísané vo vyššie uvedenej kapitole „POUŽÍVANIE CD/MP3“.

#### **UPOZORNENIE:**

Nepoužívajte na pripojenie USB zariadenia predlžovací USB kábel, pretože by mohol spôsobovať rušenie.

## **POUŽÍVANIE BLUETOOTH**

1. Stlačte tlačidlo **FUNC.** na prístroji alebo na diaľkovom ovládači na prepnutie na funkciu BLUETOOTH – na LCD displeji sa zobrazí „bT“ a indikátor spárovania/pohotovostného režimu bude rýchlo blikať.
2. Zapnite funkciu Bluetooth na zariadení, vyhľadajte jednotku „**SPT 3907**“ a pripojte ju; ak budete požiadaní o heslo, zadajte 0000. Na displeji sa zobrazí „bT“. Stlačte tlačidlo **▶II/PAIR** na prístroji alebo tlačidlo prehrávania na zariadení na spustenie prehrávania. Ak sa prístroj do 2 minút nepripojí k príslušnému Bluetooth, stlačte tlačidlo **▶II/PAIR** na prístroji alebo tlačidlo PAIR na diaľkovom ovládači na opätovné pripojenie.
3. Stlačením tlačidla **VOLUME +/-** nastavte požadovanú hlasitosť.
4. Stlačením tlačidla **▶▶I** alebo **I◀◀** na prístroji alebo tlačidla **▶▶I** na diaľkovom ovládači vyberte požadovanú stopu.
5. Na zastavenie prehrávania stlačte tlačidlo **▶II/PAIR** na prístroji alebo tlačidlo **▶II** na diaľkovom ovládači.

**Poznámka:** Funkcia Bluetooth najlepšie funguje v dosahu 10 metrov.

## **POUŽÍVANIE EXTERNÉHO VSTUPU**

Tento prístroj je vybavený 3,5 mm konektorom externého vstupu AUX IN, ktorého prostredníctvom môžete k tomuto prístroju pripojiť a zosilniť ďalšie zdroje zvuku.

1. Stlačením tlačidla **STANDBY/FUNC.** vyberte režim AUX (Externý vstup).
2. Pripojte jeden koniec audio kábla ku konektoru AUX IN a druhý koniec ku konektoru AUDIO OUT na externom zdroji zvuku.
3. Nastavte hlasitosť na prístroji na požadovanú úroveň.
4. Na spustenie prehrávania stlačte tlačidlo **PLAY** na externom zdroji zvuku (napr. MP3 prehrávač).

# TECHNICKÉ ÚDAJE

## VŠEOBECNÉ

Požiadavky na napájanie	AC 100 – 240 V~, 60/50 Hz DC 9 V UM-1 × 6 ks
Spotreba energie	14 W
Hmotnosť	Pribl. 1,7 kg
Rozmery	Pribl. 280 mm (Š) × 210 mm (H) × 140 mm (V)
Prevádzková teplota	+5 – 35 °C

## PRIJÍMAČ

Frekvenčný rozsah FM	87,5 – 108 MHz
----------------------	----------------

## KOMPAKTNÝ DISK

Optický snímač	Laser s 3 lúčmi
Frekvenčná odozva	100 Hz – 16 kHz

## KAZETOVÝ MAGNETOFÓN

System predmagnetizácie (Bias)	Jednosmerná predmagnetizácia (DC Bias)
Frekvenčná odozva	125 Hz – 4 kHz
Kolívanie a chvenie	0,4 % WRMS (JIS)

## ZVUK

Výstupný výkon	2 W × 2 (RMS)
----------------	---------------

## Bluetooth

V5.0

## PRÍSLUŠENSTVO

Návod na obsluhu	1
Sieťový kábel	1
Dial'kový ovládač	1

### Poznámka:

Technické údaje sa z dôvodu neustáleho vylepšovania môžu zmeniť, a preto si vyhradzuje právo vykonávať úpravy bez predchádzajúceho upozornenia.

# POKYNY A INFORMÁCIE PRE LIKVIDÁCIU VYRADENÝCH OBALOVÝCH MATERIÁLOV

Obalový materiál odovzdajte na likvidáciu do zberného dvora.



## LIKVIDÁCIA VYRADENÝCH ELEKTRICKÝCH A ELEKTRONICKÝCH ZARIADENÍ

Tento symbol umiestnený na produkte, príslušenstve alebo obale upozorňuje na to, že s produktom sa nesmie nakladať ako s bežným domovým odpadom. Zlikvidujte, prosím, tento produkt v zbernom dvore určenom na recykláciu elektrických a elektronických zariadení. V niektorých štátoch Európskej únie alebo v niektorých európskych krajinách môžete pri nákupe ekvivalentného nového produktu vrátiť vaše produkty miestnemu predajcovi. Správnou likvidáciou tohto produktu pomáhate chrániť cenné prírodné zdroje a predchádzať možným negatívnym dopadom na životné prostredie a ľudské zdravie, ku ktorým by mohlo dôjsť v dôsledku nesprávnej likvidácie odpadu. Ďalšie podrobnosti vám poskytnú miestne úrady alebo najbližší zberný dvor na likvidáciu odpadu. Nesprávna likvidácia tohto typu odpadu môže byť predmetom udelenia pokuty zo zákona.

### Pre firmy v Európskej únii

Ak potrebujete zlikvidovať elektrické alebo elektronické zariadenie, požiadajte vášho predajcu alebo dodávateľa o nevyhnutné informácie.

### Likvidácia v krajinách mimo Európskej únie

Ak chcete tento produkt zlikvidovať, požiadajte o nevyhnutné informácie o správnom spôsobe likvidácie miestne úrady alebo vášho predajcu.



Tento produkt spĺňa požiadavky EÚ.

Týmto spoločnosť FAST ČR, a. s., vyhlasuje, že rádiové zariadenie typu SPT 3907 vyhovuje smernici 2014/53/EÚ. Celý text vyhlásenia o zhode EÚ je k dispozícii na nasledujúcej internetovej adrese: [sencor.com](http://sencor.com)

Text, dizajn a technické údaje sa môžu zmeniť bez predchádzajúceho upozornenia a vyhradujeme si právo vykonávať tieto zmeny.

Originálna verzia je v českom jazyku.

Adresa výrobcu:

FAST ČR, a. s., Černokostelecká 1621, Říčany CZ-251 01

# SENCOR®

## SK Záručné podmienky

### Záručný list nie je súčasťou balenia zariadenia.

Predávajúci poskytuje kupujúcemu na výrobok 24 mesiacov záruku od jeho prevzatia kupujúcim. Záruka sa poskytuje ďalej za nižšie uvedených podmienok. Záruka sa vzťahuje iba na spotrebný tovar predaný spotrebiteľovi na bežné domáce použitie. Práva zo zodpovednosti za chyby (reklamácie) môže kupujúci uplatniť buď u predávajúceho, u ktorého bol výrobok zakúpený alebo v nižšie uvedenom autorizovanom servise. Kupujúci je povinný reklamáciu uplatniť bez zbytočného odkladu, aby nedochádzalo ku zhoršeniu chyby, najneskôr však do konca záručnej doby. Kupujúci je povinný pri reklamácií spolupracovať pri overení existencie reklamovanej chyby. Do reklamačného procesu sa prijíma iba kompletný a z dôvodu dodržania hygienických predpisov neznečistený výrobok. V prípade oprávnenej reklamácie sa záručná doba predlžuje o dobu od okamžiku uplatnenia reklamácie do okamžiku prevzatia opraveného výrobku kupujúcim, kedy je kupujúci po skončení opravy povinný výrobok prevziať. Kupujúci je povinný preukázať svoje práva reklamovať (doklad o zakúpení výrobku, záručný list, doklad o uvedení výrobku do prevádzky).

### Záruka sa nevzťahuje na:

- chyby, na ktoré boli poskytnuté zľavy;
- opotrebenia a poškodenia vzniknuté bežným užívaním výrobku;
- poškodenie výrobku v dôsledku neodbornej či nesprávnej inštalácie, použitie výrobku v rozpore s návodom na použitie s platnými právnymi predpismi a všeobecne známymi a obvyklými spôsobmi používania, v dôsledku použitia výrobku za iným účelom, než na ktorý je určený;
- poškodenie výrobku v dôsledku zanedbanej alebo nesprávnej údržby;
- poškodenie výrobku spôsobené jeho znečistením, nehodou a zásahom vyššej moci (živelná udalosť, požiar, vniknutie vody);
- chyby funkčnosti výrobku spôsobené nevhodnou kvalitou signálu, rušivým elektromagnetickým poľom a pod.;
- mechanické poškodenie výrobku (napr. zlomenie gombíka, pád);
- poškodenie spôsobené použitím nevhodných médií, náplní, spotrebného materiálu (batérie) alebo nevhodnými prevádzkovými podmienkami (napr. vysoké teploty v okolí, vysoká vlhkosť prostredia, otrasy);
- poškodenie, úpravu alebo iný zásah do výrobku spôsobený neoprávnenou alebo neautorizovanou osobou (servisom) prípady, keď kupujúci pri reklamácií nepreukáže oprávnenosť svojich práv (kedy a kde reklamovaný výrobok zakúpil);
- prípady, keď sa údaje v predložených dokladoch líšia od údajov uvedených na výrobku;
- prípady, keď reklamovaný výrobok sa nestotožňuje s výrobkom uvedeným v dokladoch, ktorými kupujúci preukazuje svoje práva reklamovať (napr. poškodenie výrobného čísla alebo záručnej plomby prístroja, prepisované údaje v dokladoch).

### Gestor servisu na SK:

**FAST PLUS, Na Pántoch 18, 831 06 Bratislava; tel: 02 49 1058 53-54**

Viac informácií nájdete na [www.sencor.sk](http://www.sencor.sk)



**FONTOS:** Használat előtt olvassa el, és őrizze meg későbbre.

## FONTOS MEGJEGYZÉSEK

### BEVEZETŐ

- Köszönjük, hogy megvásárolta ezt a terméket.
- Kérjük, gondosan olvassa el ezt a használati útmutatót, hogy megtanulja a készülék helyes kezelését. Elolvasás után tegye el biztos helyre későbbi felhasználás céljából.

### FIGYELEM

Tűz és áramütés veszélyének elkerülése érdekében a készüléket óvja esőtől és nedvességtől. Az áramütés elkerülése érdekében ne nyissa fel a készülék házát, kizárólag szakképzett szerelőre bízza a szerelést.

### FIGYELMEZTETÉS

A vezérlőelemek nem megfelelő használata, a készülék hibás csatlakoztatása vagy ennek az útmutató utasításaival ellentétes tevékenység veszélyes sugárzást okozhat.

### VESZÉLY

Ha a készüléket kinyitja, ha a biztonsági mechanizmus meghibásodik vagy a sérül, láthatatlan lézersugárzás veszélye fenyeget. Kerülje a lézer közvetlen sugárzását.



Ennek a CD-lejátszónak a minősítése 1. osztályú LÉZERES TERMÉK.

A CLASS 1 LASER PRODUCT (1. osztályú lézeres termék) megjelölés a hátsó külső oldalon található.

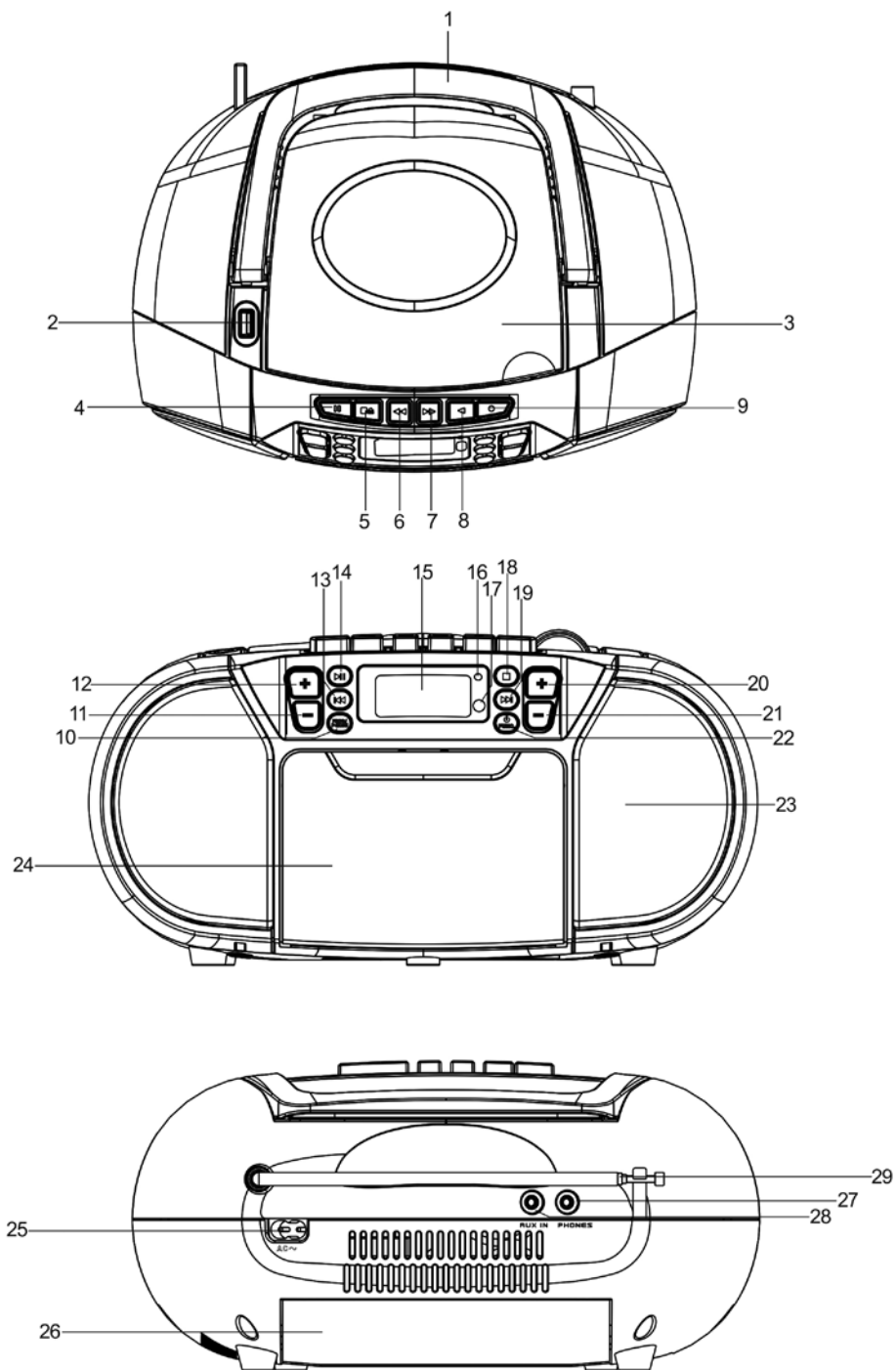
- Ne telepítse ezt a készüléket az alábbi helyekre:
  1. Közvetlen napfénynek kitétt helyre, hőt sugárzó berendezés, pl. elektromos fűtőtest közelébe, vagy egyéb, túl sok hőt sugárzó másik sztereókészülékre.
  2. Elégtelen szellőzésű vagy poros helyekre.
  3. Állandó rázkódásnak kitétt helyekre.
  4. Nedves vagy vizes helyre.
- A hangoló kezelőelemeket és kapcsolókat az útmutató szerint használja.
- A tápellátás első bekapcsolása előtt győződjön meg róla, hogy a tápkábel megfelelően csatlakoztatva van.
- A kazettákat és CD-lemezeket hűvös helyen tárolja, nehogy a hőtől meghibásodjanak.

### FIGYELMEZTETÉS:

ÁRAMÜTÉS VESZÉLYÉNEK CSÖKKENTÉSE ÉRDEKÉBEN NE TÁVOLÍTSA EL A KÉSZÜLÉK BURKOLATÁT, SE A HÁT LAPJÁT. A KÉSZÜLÉKEN BELÜL NINCSENEK A FELHASZNÁLÓ ÁLTAL JAVÍTHATÓ RÉSZEK - A JAVÍTÁST HAGYJA SZAKKÉPZETT SZERELŐRE.

### FIGYELEM:

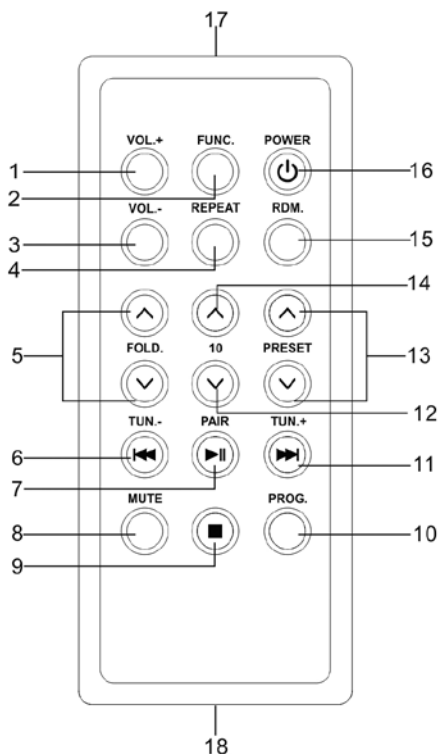
- Ha az elemek lemerülnek, vagy ha hosszabb ideig használaton kívül lesznek, vegye ki őket a készülékből.
- Az elemek nem megfelelő használata következtében elektrolitszivárgás vagy rozsdásodás történhet az elemtartó rekeszben, vagy megkarcolódhat az elem köpenye, ezért:
  - Ne használjon különböző típusú, pl. alkáli és cink-szén elemet egyszerre.
  - Ha újakra cseréli az elemeket, mindet egyszerre cserélje.



# A KEZELŐELEMEK MEGNEVEZÉSE

1. LECSUKHATÓ FOGANTYÚ
2. USB PORT
3. CD-TÁLCA
4. CASSETTE PAUSE  
(Kazetta ideiglenes megállítása) GOMB
5. CASSETTE STOP/EJECT (Kazetta leállítás/kiadás) GOMB
6. CASSETTE FAST FORWARD (Kazetta gyors előrecsévélése) GOMB
7. CASSETTE REWIND (Kazetta gyors hátracsévélése) GOMB
8. CASSETTE PLAY (Kazetta lejátszása) GOMB
9. CASSETTE RECORD (Felvétel kazettára) GOMB
10. PROG./P-MODE  
(Program/P mód) GOMB
11. 10/FOLD./M.-  
(10/Mappa/Memória-) GOMB
12. 10/FOLD./M.+  
(10/Mappa/Memória+) GOMB

13. ◀◀ GOMB
14. PLAY/PAUSE/PAIR (Lejátszás/Szünet/Párosítás) GOMB
15. LCD-KIJELZŐ
16. KÉSZENLÉTI MÓD KIJELZŐ
17. Infravörös VEVŐKÉSZÜLÉK
18. STOP (Leállítás) GOMB
19. ▶▶ GOMB
20. VOLUME + (Hangerő +) GOMB
21. VOLUME - (Hangerő -) GOMB
22. FUNCTION/STANDBY (Funkció/Készenléti üzemmód) GOMB
23. HANGSZÓRÓ
24. A KAZETTAREKESZ AJTAJA
25. AC (HÁLÓZATI TÁPELLÁTÁS) CSATLAKOZÓ
26. ELEM TARTÓ REKESZ
27. PHONE (Fülhallgató) CSATLAKOZÓ
28. AUX-IN (Külső bemenet) CSATLAKOZÓ
29. TELESZKÓPOS FM ANTENNA



## TÁVIRÁNYÍTÓ

1. VOL+ (Hangerő+)
2. FUNCTION (Funkció)
3. VOL - (Hangerő -)
4. REPEAT (Ismétlés)
5. FOLDER UP & DOWN (Mappa fel & le)
6. PREVIOUS/REVERSE (Előző/Hátra) és TUN- (Hangolás-)
7. PLAY/PAUSE/PAIR (Lejátszás/Szünet/Párosítás)
8. MUTE (Elnémítás)
9. STOP (Megállítás)
10. PROG. (Program)
11. NEXT/FORWARD (Következő/Előre) és TUN+ (Hangolás+)
12. -10
13. PRESET UP & DOWN (Programhely fel & le)
14. +10
15. RDM. (Véletlenszerű lejátszás)
16. STANDBY (POWER) (Készenléti üzemmód)/Tápellátás
17. A távirányító adója
18. Elem tartó rekesz

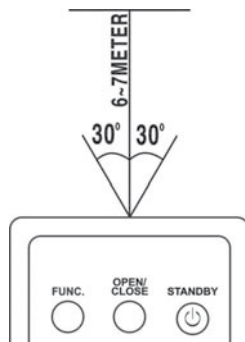
### Megjegyzés:

Használatba vétel előtt távolítsa el az elem tartó rekeszt védő műanyagot.

## VEZÉRLÉS TÁVIRÁNYÍTÓVAL

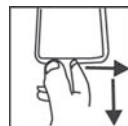
Ahhoz, hogy ezt a készüléket távirányítóval vezérelje irányítsa a **táv-irányító adóját** [17] a készülék elülső megjelenítő paneljén lévő infra-vörös érzékelőre. Nyomja meg a távirányító gombjait a vezérléshez.

A távirányító legjobban akkor működik, ha legfeljebb 5 méter távolságban van, nem több, mint 30 fokos szögben az érzékelő bármelyik oldalához képest. Az erős napfény vagy a helyiség más megvilágítása zavarhatja a távirányító megfelelő működését. Ha a távirányító nem működik jól vagy teljesen leáll, próbáljon meg a távirányítóba új elemet tenni, vagy sötétítsen be a helyiségben.



## AZ ELEM CSERÉJE A TÁVIRÁNYÍTÓBAN

- A távirányító egy CR2025 (3 V) lítiumelemet tartalmaz. A távirányító használatba vétele előtt távolítsa el az elemtartó rekeszt védő műanyagot.
- Az elem kicseréléséhez nyomja a kapcsot enyhén jobbra, majd csúsztassa ki az elemtartó rekesz tartóját. Vegye ki a régi elemet, és tegyen a tartóba új lítiumelemet (CR-2025 típus). Az elem pozitív oldalát kell felfelé fordítani.
- Csúsztassa vissza a tartót a rekeszbe úgy, hogy a kapocs bekattanjon a helyére.



## ENERGIAFORRÁS

Ez a készülék úgy van megszerkesztve, hogy akár egyenáramú, akár váltakozóáramú tápellátással működni tud.

## HÁLÓZATI TÁPELLÁTÁS

A hálózati tápkábel egyik végét csatlakoztassa a készüléken található AC nyílásba, a másik végét pedig az otthoni hálózati csatlakozóba.

Az elem automatikusan kikapcsol.

## ELEMRŐL TÖRTÉNŐ TÁPELLÁTÁS

Nyissa ki AZ ELEM TÁROLÓ REKESZ FEDELÉT. Tegyen be a rekeszbe 6 db UM-1/D elemet (nem tartozék). Ügyeljen a jelzett polarításra.

## FIGYELMEZTETÉS

- Vegye ki az elemet, ha lemerült, vagy ha túl régen használja.
- Az elemek vegyi anyagokat tartalmaznak, ezért megsemmisítésük során be kell tartani az előírásokat.

# ALAPMŰVELETEK

## A KÉSZÜLÉK BEKAPCSOLÁSA

A tápellátás csatlakoztatását követően nyomja meg a STANDBY/FUNC. gombot a készülék bekapcsolásához, majd nyomja meg újra a STANDBY/FUNC. gombot a CD/USB/KAZETTÁS MAGNÓ vagy FM üzemmód kiválasztásához.

### MEGJEGYZÉS:

Ha a CD/USB/MP3/AUX üzemmódban a berendezés fő funkciója 15 percig nem üzemel, automatikusan készenléti üzemmódba kapcsol. Ha a készülékbe kazettás magnó üzemmódban 15 percig nem tesznek kazettát, automatikusan készenléti üzemmódba kapcsol. Ha a készüléket újra be szeretné kapcsolni, nyomja meg a STANDBY/FUNC. gombot, vagy a készüléket húzza ki és csatlakoztassa újra.

**Tipp az elektrosztatikus kisülésre** – Az elektrosztatikus kisülés eredményezheti az eszköz vezérlőegységének visszaállását az eredeti állapotba - ebben az esetben kapcsolja ki a készüléket, húzza ki, majd újra csatlakoztassa és kapcsolja be.

## A HANGERŐ BEÁLLÍTÁSA

A hangerő növeléséhez vagy csökkentéséhez nyomja meg a VOL +/- gombot.

## FÜLHALLGATÓ CSATLAKOZÁS

Ha bensőségesen szeretne zenét hallgatni, csatlakoztassa a fülhallgató 3,5 mm-es csatlakozóját (nem tartozék) a HEADPHONE csatlakozóba. A HANGSZÓRÓ automatikusan kikapcsol.

### FIGYELMEZTETÉS:

A HANGOS ZENE TARTÓS HALLGATÁSA ÁRTALMAS AZ EMBERI HALLÁSRA.

# A RÁDIÓ HASZNÁLATA

## RÁDIÓÁLLOMÁSOK HANGOLÁSA

1. A STANDBY / FUNC. gomb megnyomásával válassza ki a rádió üzemmódot: FM üzemmód.
2. A kívánt állomást a ►► vagy ◀◀ gombbal hangolja be - az állomás frekvenciája megjelenik a kijelzőn.
3. A VOL +/- gomb megnyomásával állítsa a hangerőt kényelmes szintre.
4. Az FM sávon a lehető legjobb vétel érdekében húzza ki teljes hosszúságban a teleszkópos antennát. Óvatosan csúsztassa a készüléket hátra és előre, hogy az FM sávon hallgatott állomás lehető legjobb vételét érje el, vagy tegye a készüléket szabad terepre. Sztereójel vétele esetén a kijelzőn világít az ST felirat.

## ÁLLOMÁS AUTOMATIKUS ELMENTÉSE EGY PROGRAMHELYRE

Ha az állomásokat megkeresésük után automatikusan menteni akarja a programhelyek közé, nyomja meg, és tartsa lenyomva a **PLAY/PAUSE** gombot. Bármely elég erős jellel rendelkező állomás elmentésre kerül a programhelyekre.

A készülék a keresés befejezése után automatikusan beállítja az 1. sz. programhelyet (P01).

Ha egy további vagy előző programhelyre szeretne állomást behangolni, nyomja meg az **M.+/M.-** gombot egy további vagy előző programhelyre lépéshez.

## RÁDIÓÁLLOMÁSOK KÉZI MENTÉSE A PROGRAMHELYEKRE

A memóriában 30 rádióállomás tárolható.

1. A ►► vagy ◀◀ gombok segítségével hangolja be azt az állomást, amit a programhelyre kíván menteni.

2. Nyomja meg a **PROG.** gombot a készüléken - a PROG indikátor villogni kezd, és a kijelzőn megjelenik a „P01” felirat, hogy jelezze az állomás mentését az 01 programhelyre. A programhelyek sorrendjének módosításához nyomja meg az **M.+** vagy **M.-** gombot, majd nyomja meg újra a **PROG.** gombot a készüléken a jóváhagyáshoz.
3. Keresse ki a következő állomást, és ismétlje meg az (1) és (2) lépést, míg el nem mentett minden kívánt állomást. Akár 30 állomást is elmenthet az FM sávban.
4. Ha egy állomást egy további vagy előbbi programhelyre akar menteni, először nyomja meg a **PROG.** gombot, majd rögtön nyomja meg az **M.+** vagy **M.-** gombot egy további vagy előző programhelyre lépéshez.

## A KAZETTÁS MAGNÓ HASZNÁLATA

### A GOMBOK FUNKCIÓINAK LEÍRÁSA

**PLAY (Lejátszás)** – Nyomja meg a kazetta lejátszásához.

**REWIND (Gyorscsévézés vissza)** – Megállított helyzetben nyomja meg a kazetta visszatekeréséhez.

**F.FWD (Gyorscsévézés előre)** – Megállított helyzetben nyomja meg a kazetta előretekeréséhez a vége felé.

**STOP/EJ. (Leállítás/Kiadás)** – Nyomja meg a kazetta aktuális tevékenységének leállításához vagy a kazettarekesz ajtajának kinyitásához, ha egyetlen gomb sem aktív.

**PAUSE (Szünet)** – Nyomja meg a lejátszás vagy a felvétel megszakításához. Nyomja meg újra a kazettáról való lejátszás vagy a kazettára való felvétel folytatásához.

### KAZETTA LEJÁTSZÁSA

1. A **STANDBY/FUNC.** gomb lenyomásával válassza ki az **KAZETTÁS MAGNÓ** módot.
2. Nyomja meg a **STOP/EJ.** gombot a kazettarekesz ajtajának kinyitásához.
3. Tegye be a kazettát a kazettarekeszbe a nyitott szélével felfelé, a feltekercselt szalag jobbra legyen.
4. Biztonságosan csukja be az ajtót.
5. Nyomja meg a **REWIND** vagy a **F.FWD** gombot, hogy a kazettát a kívánt pontra állítsa.
6. A kazetta lejátszásának megkezdéséhez nyomja le a **PLAY** gombot.
7. Állítsa a hangerőt a kívánt szintre.

### AUTOMATIKUS KIKAPCSOLÁS FUNKCIÓ

Ha a kazettás magnó lejátszás vagy felvétel közben eléri a szalag végét, a készülék automatikusan kikapcsol és minden gomb kikapcsolt helyzetbe áll.

### FELVÉTEL A RÁDIÓBÓL

1. A kazettarekeszbe helyezzen egy üres kazettát, és csukja be az ajtót.
2. A **FUNCTION** kapcsolót állítsa a **RADIO-ra** (Rádió). Állítsa be a kívánt állomást a **TUNING** gomb elforgatásával.
3. Nyomja meg a **RECORD** gombot a felvétel elindításához. A **RECORD** és a **PLAY** gombot egyszerre kell lenyomni.
4. Nyomja meg a **STOP/EJ.** gombot a felvétel befejezéséhez.
5. A felvétel lejátszásához kövesse a **KAZETTA LEJÁTSZÁSA** részben található utasításokat.

### MEGJEGYZÉS:

**PILLANATÁLLJ** - Ha a felvétel rövid szüneteltetéséhez a kazettás magnón a **PASE** gombot használja a **STOP/EJ** gomb helyett, a felvétel sokkal tisztább lesz. Nyomja meg újra a **PAUSE** gombot a lejátszás visszaállításához.

### FELVÉTEL CD-LEMEZRŐL

1. A kazettarekeszbe helyezzen egy üres kazettát.
2. Állítsa a **FUNCTION** kapcsolót **CD/AUX** (CD/Külső bemenet) helyzetbe.

3. Tegyen be egy CD lemezt, és válassza ki a lejátszani kívánt számot.
4. A lejátszás megkezdéséhez nyomja le a CD PLAY/PAUSE gombot. Nyomja meg a RECORD gombot a felvétel elindításához.  
A RECORD és a PLAY gombot egyszerre kell lenyomni.
5. Nyomja meg a PAUSE gombot a felvétel megszakításához vagy módosításához. Ennek a gombnak az újabb lenyomásával folytathatja a felvételt.
6. Nyomja meg a STOP/EJ. gombot a felvétel befejezéséhez.
7. A felvétel lejátszásához kövesse a KAZETTA LEJÁTSZÁSA részben található utasításokat.

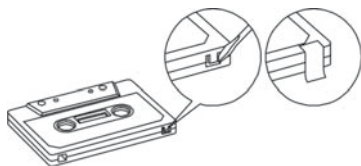
## KAZETTATÍPUSOK

A felvételeket csak minőségi kazettára (IEC TYPE 1) készítse. Más típusú kazetták is lejátszhatók, de ezekre a speciális kazettákra nem készíthetők kielégítő felvételek.

NEM JAVASOLJUK, hogy ebben a készülékben C120 kazettákat használjon.

## A FELVÉTEL MEGŐRZÉSE

Rendes körülmények közt a kazettán levő felvétel újabb felvétel rájátszásával automatikusan törlődik. Felvételeit védheti a véletlen rájátszástól a kazetta hátlapján levő fülecskék eltávolításával.



TÖRLÉSI FÜLECSKE AZ „A” OLDALHOZ

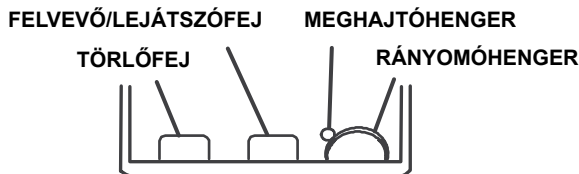
Ha a kazettát úgy tartja, hogy a felvett oldala felfelé, a nyitott szalag pedig előre nézzen, a védő fülecskét a kazetta bal hátsó részén találja.

Minden műsoros kazetta ilyen módon védett a véletlen törléstől. A „védett” kazetta lehetetlenné teszi a felvétel gomb lenyomását. Ha fel akar venni és azt veszi észre, hogy ez a gomb nem nyomható le, soha ne akarja erővel lenyomni, különben sérülhet a mechanizmus. Ellenőrizze, hogy a kazetta jól betéve és nem voltak-e eltávolítva a védőfülek.

Ha letört védőfülű kazettára akar felvenni, a védőfülek nyílását ragasztószalaggal ragassza le.

## A KAZETTA-MECHANIZMUS KARBANTARTÁSA

Óvatosan tisztítsa meg a kazettafejet és a nyomókerék/meghajtó görgő egységet a készülék minden 10 órányi használata után. Sokfajta tisztítóeszköz kapható a kazettás magnókhöz.



A törlőfej, a felvevő/lejátszó fej és a szorító görgő felülete kényes, és nem kerülhet érintkezésbe fém tárgyakkal, mint pl. csavarhúzó. A tisztítás könnyebb lesz, ha lenyomja a PLAY gombot, amivel kitolja a fejet és a görgőt is, így könnyebben hozzájuk fér. A mechanizmus megtisztítása után ne felejtse el megnyomni a STOP gombot.

Ha a készüléket PLAY (Lejátszás) üzemmódban hagyja, miközben a tápellátás kapcsolója ki van kapcsolva, a nyomókerék meghibásodhat.

Semmilyen körülmények között ne kenje be a készülék semmilyen részét.

# A CD/MP3 HASZNÁLATA

## Lejátszható lemezek

Ez a rendszer támogatja minden digitális CD, MP3, WMA hanglemez, finalizált CD-R (írható CD-lemez), finalizált CD-RW (újraírható CD-lemez) és CD-DA formátumú CD/CD-R/CD-RW digitális hanglemez lejátszását.

## A LEMEZ BEHELYEZÉSE

1. A STANDBY/FUNC. gomb megnyomásával válassza ki a CD üzemmódot.
2. Nyissa ki a CD-tálca ajtaját. A kijelzőn megjelenik az „OPEN” (Nyitva) felirat.
3. Tegyen be egy CD-hanglemezt úgy, hogy az írásos felével felfelé nézzen.
4. Csukja be a CD-tálcát. A beolvasás befejezése után a kijelzőn megjelenik az összes zeneszám száma.
5. Ha ki akarja venni a CD-lemezt, nyomja meg a STOP gombot, nyissa ki a CD-rekesz ajtaját, fogja meg a CD-lemezt a pereménél fogva, és óvatosan vegye ki.

### Megjegyzés:

1. A rendszer helyes működésének érdekében a folytatás előtt várja meg, amíg a készülék teljesen beolvassa az egész lemezt.
2. Ha a mechanikába nincs betéve lemez, vagy ha a lemez fordítva van betéve, a kijelzőn a **NO DISC** (Nincs lemez) üzenet olvasható.

## LEMEZ LEJÁTSZÁSA

### A lemez beolvasása után automatikusan elindul a lejátszás.

1. A lejátszás az 1. számtól indul - a kijelzőn megjelenik a „Track 01” (01. szám) jelzés.  
A lejátszást a PLAY/PAUSE gombbal szakíthatja félbe. A kijelzőn villogni kezd az „aktuális lejátszási idő” indikátora.  
A lejátszást a PLAY/PAUSE gomb ismételt megnyomásával folytathatja.
2. A lejátszás megállításához nyomja meg a STOP gombot - a kijelzőn megjelenik az összes zeneszám száma.

## A KÍVÁNT SZÁM/RÉSZ KIVÁLASZTÁSA

### A kívánt szám kiválasztása

- Lejátszás vagy megállított lejátszás közben nyomja meg többször a **◀◀ / ▶▶** gombot, amíg a kijelzőn megjelenik a kívánt szám.
- A lejátszás megkezdéséhez nyomja meg a PLAY/PAUSE gombot.

### Konkrét rész megkeresése lejátszás közben (számok gyors átfuttatása)

Nyomja meg és tartsa lenyomva a **◀◀ / ▶▶** gombot a lejátszott szám futtatásához; miután megtalálta a kívánt részt, engedje fel a gombot. A megadott helyről folytatódik a lejátszás.

### Zeneszám kiválasztása, ha a sorszáma magasabb, mint 10 (csak MP3 lemez esetében)

Ha 10-nél magasabb sorszámú számot/tracket akar kiválasztani, nyomja meg a 10/FOLD./M.+ vagy 10/FOLD./M.- gombot, ezzel tízesével léphet a számok között előre vagy hátra, majd nyomja meg a **▶▶** vagy **◀◀** gombot a kívánt szám kiválasztásához. Például a 17. zeneszám kiválasztásához nyomja meg a 10/FOLD./M.+ gombot, majd hatszor a **▶▶** gombot.

### A kívánt mappa kiválasztása (csak MP3-lemez esetén)

(ha az MP3 lemez egynél több mappát tartalmaz)

Ha lejátszás közben a kívánt mappára szeretne ugrani, nyomja meg, és tartsa 2 másodpercig lenyomva a 10/FOLD./M.+ vagy 10/FOLD./M.- gombot - a következő/előző mappára ugrik.



## SZÁMOK PROGRAMOZÁSA

A lemezen levő számok programozása megállított lejátszás mellett lehetséges. A memóriába tetszőleges sorrendben akár 20 CD-, vagy 99 MP3-számot is elmenthet.

1. A leállított lejátszón nyomja meg a PROG./P-MODE gombot - kigyullad a **P01** indikátor.
2. Nyomja meg a CD ►► vagy ◀◀ gombot az első beprogramozni kívánt zeneszám kiválasztásához.
3. Nyomja meg a PROG./P-MODE gombot a jóváhagyáshoz. A kijelzőn a **P02** felirat jelenik meg.
4. A 2. és 3. lépés ismétlésével mentse el a további kívánt számokat, egészen addig, amíg valamennyit be nem programozta.
5. Nyomja meg a PLAY/PAUSE gombot a lejátszáshoz az első beprogramozott számtól kezdve.
6. A program lejátszásának befejezéséhez nyomja meg a STOP gombot.

### A memória (program) törlése

A programot kétféle módon törölheti:

1. A STOP gomb megnyomásával megállított lemez esetén, és
2. A CD-rekesz ajtajának kinyitásával a program törlése céljából.

## ISMÉTELT LEJÁTSZÁS

A készülék támogatja a lemezen levő egy, vagy valamennyi szám lejátszását.

### Egy szám ismételt lejátszása

1. Lejátszás közben egyszer nyomja meg a PROG./P-MODE gombot - a kijelzőn villogni kezd a REP (Ismétlés) felirat. Az aktuális szám lejátszása addig ismétlődik, míg meg nem nyomja a STOP gombot.
2. Az ismételt lejátszás törléséhez nyomja meg ismét a PROG./P-MODE gombot úgy, hogy a REP (Ismétlés) jel eltűnjön.

### Minden szám ismételt lejátszása

1. Lejátszás közben kétszer nyomja meg a PROG./P-MODE gombot - a kijelzőn világítani kezd a REP (Ismétlés) felirat, és a készülék újra és újra lejátszsa a lemezen levő valamennyi számot, amíg a STOP gombot meg nem nyomja.
2. Az ismételt lejátszás törléséhez nyomja meg ismét a PROG./P-MODE gombot úgy, hogy a REP (Ismétlés) jel eltűnjön.

### Az aktuális mappa ismételt lejátszása (csak MP3 esetén)

1. Lejátszás közben nyomja meg újra a PROG./P-MODE gombot, hogy a kijelzőn megjelenjen a „REP-ALBUM” (Album ismétlése) jelzés - az aktuális mappa újra és újra lejátszásra kerül, amíg meg nem nyomja a STOP gombot.
2. Az ismétlési funkció törléséhez nyomja meg ismét a PROG./P-MODE gombot, hogy a kijelzőn kiadudjon a „REP-ALBUM” (Ismétlés - album) jel.

## VÉLETLENSZERŰ LEJÁTSZÁS

Nyomja meg a PROG./P-MODE gombot lejátszás/megállítási üzemmódban a véletlenszerű lejátszás aktiválásához. A kijelzőn megjelenik az RDM jel, és a lejátszás egy véletlenszerűen kiválasztott számmal elkezdődik (soha nem a lemez sorrendjében). A véletlenszerű lejátszás kikapcsolásához nyomja meg újra a **RDM** gombot.

## LEJÁTSZÁS USB-RŐL

1. A STANDBY/FUNC. gomb megnyomásával válassza ki az USB üzemmódot.
2. Csatlakoztassa az USB-eszközt az USB bemenethez. Az LCD-kijelzőn megjelenik az USB-eszközön levő összes zeneszám és mappa száma. Az USB beolvasása után (a készülék a legfeljebb 32 GB kapacitású USB-eszközöket támogatja), a készülék automatikusan elindítja a lejátszást.

3. A lejátszás leállításához nyomja meg a ■ gombot a készüléken. A kijelzőn megjelenik az USB-eszközön levő összes zeneszám és mappa száma és a STOP (Leállítva) felirat.
4. Az ismételt lejátszás (egy szám ismétlése - mappa ismétlése - minden ismétlése - BEVEZETŐK), a programozott lejátszás és az előre / hátra ugrás ugyanúgy működik, ahogy azt a fenti, „A CD/MP3 HASZNÁLATA” c. fejezetben leírtuk.

#### FIGYELMEZTETÉS:

Az USB-eszköz csatlakoztatásához ne használjon hosszabbító USB kábelt, mert az zavart okozhat.

## A BLUETOOTH HASZNÁLATA

1. Nyomja meg a **FUNC.** gombot a készüléken vagy a távirányítón a BLUETOOTH funkció bekapcsolásához - az LCD-kijelzőn megjelenik a „bT” jelzés, és a párosítás/készletléti üzemmód kijelzése gyorsan villogni fog.
2. Kapcsolja be a Bluetooth-t a készüléken, keresse meg az „SPT 3907” egységet, és csatlakoztassa; szükség esetén adja meg a 0000 jelszót. A kijelzőn „bT” felirat jelenik meg. Nyomja meg a ►►/PAIR gombot a készüléken, vagy a lejátszás gombot az eszközön a lejátszás megkezdéséhez. Abban az esetben, ha a készülék 2 percen belül nem csatlakozik a kívánt Bluetooth-hoz, nyomja meg a ►►/PAIR gombot a készüléken vagy a PAIR gombot a távirányítón az ismételt csatlakoztatáshoz.
3. A **VOLUME +/-** gomb megnyomásával állítsa be a kívánt hangerőt.
4. A készülék ►►I vagy I◀◀, vagy a távirányító ►►I gombjának megnyomásával válassza ki a kívánt zeneszámot.
5. A lejátszás megállításához nyomja meg a ►►/PAIR gombot a készüléken vagy a ►►I gombot a távirányítón.

**Megjegyzés:** A Bluetooth funkció legjobban 10 méteren belül működik.

## KÜLSŐ BEMENET HASZNÁLATA

Ez a készülék 3,5 mm AUX IN külső bemenet csatlakozóval van ellátva, ezen keresztül tud a készülékhez külső hangforrást csatlakoztatni vagy a készüléket annak erősítőjeként használni.

1. A STANDBY/FUNC. gomb lenyomásával válassza ki az AUX (Külső bemenet) módot.
2. Csatlakoztassa az audiókábel egyik végét az AUX IN csatlakozóba, a másikat a külső készülék AUDIO OUT csatlakozójához.
3. Állítsa be a kívánt hangerőt a készüléken.
4. A lejátszásának megkezdéséhez nyomja meg a PLAY gombot a külső hangforráson (pl. MP3-lejátszó).

# MŰSZAKI ADATOK

## ÁLTALÁNOS

A tápellátás követelményei	AC 100–240 V~, 60/50 Hz
	DC 9 V UM-1 × 6 KS
Energiafogyasztás	14 W
Tömeg	Kb.1,7 kg
Méret	Kb. 280 mm (szé) × 210 mm (mé) × 140 mm (ma)
Üzemi hőmérséklet	+5 –35 °C

## VEVŐKÉSZÜLÉK

Frekvenciatartomány FM	87,5–108 MHz
------------------------	--------------

## KOMPAKT LEMEZ

Optikai érzékelő	Lézer 3 sugárral
Frekvenciaválasz	100 Hz–16 kHz

## KAZETTÁS MAGNÓ

Előmágnesező rendszer (Bias)	Egyenáramú előmágnesezés (DC Bias)
Frekvenciaválasz	125 Hz–4 kHz
Ingadozás és rezgés	0,4 % WRMS (JIS)

## HANG

Kimenő teljesítmény	2 W × 2 (RMS)
---------------------	---------------

## Bluetooth

	V5.0
--	------

## TARTOZÉKOK

Használati útmutató	1
Hálózati kábel	1
Távírányító	1

### Megjegyzés:

A műszaki adatok a termék folyamatos tökéletesítése miatt változhatnak, ezért fenntartjuk a jogot az előzetes figyelmeztetés nélküli módosítására.

# A HASZNÁLT CSOMAGOLÓANYAGOKRA VONATKOZÓ MEGSEMISÍTÉSI UTASÍTÁSOK ÉS TÁJÉKOZTATÓ

A csomagolóanyagokat hulladékgyűjtő helyen adja le.



## HASZNÁLT ELEKTROMOS ÉS ELEKTRONIKUS BERENDEZÉSEK MEGSEMISÍTÉSE

Ez a jel a berendezésen, annak tartozékain vagy csomagolásán azt jelöli, hogy a terméket nem szabad a többi háztartási hulladékkal azonos módon kezelni. Kérjük, hogy a terméket adja le elektromos és elektronikus berendezéseket újrahasznosító gyűjtőtelepen. Az Európai Unió egyes országában vagy más európai országokban a termékek az eladóhelyen azonos új termék vásárlásánál visszaválthatóak lehetnek. A termék megfelelő módon történő megsemmisítésével segít megőrizni az értékes természeti erőforrásokat, és hozzájárul a nem megfelelő hulladék-megsemmisítés által okozott esetleges negatív környezeti és egészségügyi hatások megelőzéséhez. További részletekért forduljon a helyi önkormányzathoz vagy a legközelebbi hulladék-megsemmisítő gyűjtőtelephez. Ezen típusú hulladék helytelen megsemmisítése bírság kiszabását vonhatja maga után.

### Az Európai Unióban működő vállalatok számára

Ha elektromos vagy elektronikus terméket akar megsemmisíteni, kérje ki az eladójától vagy forgalmazójától a szükséges információkat.

### Megsemmisítés Európai Unió kívüli országokban

Ha meg akarja semmisíteni ezt a terméket, a megfelelő megsemmisítésre vonatkozó információkért forduljon a helyi intézményekhez vagy termék eladójához.



Ez a termék megfelel az EU követelményeinek.

A FAST ČR, a.s. ezúton kijelenti, hogy az SPT 3907 rádiókészülék típus összhangban van a 2014/53/EU irányelvvel. Az EU megfeleléségi nyilatkozat teljes szövege rendelkezésre áll a [sencor.com](http://sencor.com) weboldalon

A szövegben, kivitelben és műszaki jellemzőkben előzetes figyelmeztetés nélkül változtatások történhetnek, és a változtatások jogát fenntartjuk.

Az eredeti verzió cseh nyelvű.

A gyártó címe:

FAST ČR, a. s., Černokostecká 1621, Říčany CZ-251 01

# SENCOR®

## HU Jótállási jegy

A **FAST Hungary Kft.** (2310, Szigetszentmiklós, Kántor u. 10) mint a termék magyarországi importőre a jótállási jegyen feltüntetett típusú és gyártási számú készülékre jótállást biztosít a fogyasztók számára az alábbi feltételek szerint:

A termék gyártója: **FAST ČR, a.s.** (Černokostecká1621, Říčany u Prahy 251 01, Csehország, Prága)

A FAST Hungary Kft. a termékre a fogyasztó részére történő átadástól (vásárlástól), illetve ha az üzembe helyezést a forgalmazó vagy annak megbízottja végzi, az üzembe helyezéstől számított **24 hónapig** tartó időtartamra vállal jótállást.

A jótállási igény a jótállási jeggyel, a vásárlástól (üzembe helyezéstől) számított 1 évig a terméket értékesítő forgalmazónál, illetve a jótállási jegyen feltüntetett hivatalos szerviznél közvetlenül is, míg a 13. hónaptól a 24. hónapig kizárólag a hivatalos szerviznél érvényesíthető.

Jótállási jegy hiányában a fogyasztói szerződés megkötését bizonyítottan kell tekinteni, ha a fogyasztó bemutatja a termék ellenértékének megfizetését hitelt érdemlően igazoló bizonylatot. Mindezek érdekében kérjük tisztelt Vásárlóinkat, hogy őrizzék meg a fizetési bizonylatot is. A jótállási időn belüli meghibásodás esetén a fogyasztó (i) elsősorban - választása szerint - a hibás termék díjmentes kijavítását vagy kicserélését követelheti, kivéve, ha a választott igény teljesítése lehetetlen, vagy ha az a jótállásra kötelezettnek a másik igény teljesítésével összehasonlítva aránytalan többletköltséget eredményezne, (ii) ha sem kijavításra, sem kicserélésre nincs joga, vagy ha a kötelezett a kijavítást, illetve kicserélést nem vállalata, vagy e kötelezettségének megfelelő határidőn belül, a fogyasztónak okozott jelentős kényelmetlenség nélkül nem tud eleget tenni, a fogyasztó – választása szerint – megfelelő árleszállítást igényelhet vagy elállhat a szerződéstől. Jelentéktelen hiba miatt elállásnak nincs helye.

A 151/2003. (IX.22.) Kormányrendeletben meghatározott tartós fogyasztási cikk meghibásodása miatt a vásárlástól (üzembe helyezéstől) számított három munkanapon belül érvényesített csereigény esetén a forgalmazó nem hivatkozhat aránytalan többletköltségre, hanem a forgalmazó köteles a tartós fogyasztási cikket kicserélni, feltéve, hogy a meghibásodás a rendeltettségű használatot akadályozza. Kijavítás esetén a fogyasztási cikkbe csak új alkatrész kerülhet beépítésre. A jótállásra kötelezett törekszik arra, hogy a kijavítás vagy kicserélés 15 napon belül megtörténjen. A rögzített bekötésű, illetve a 10kg-nál súlyosabb, vagy tömegközlekedési eszközön kézi csomagként nem szállítható fogyasztási cikket az üzemeltetés helyén kell megjavítani. Ha a javítás az üzemeltetés helyén nem végezhető el, a le- és felszerelésről, valamint az el- és visszaszállításról a jótállás kötelezettje gondoskodik. Nem számít bele a jótállási időbe a kijavítási időnek az a része, amely alatt a fogyasztó a terméket nem tudja rendeltettségűen használni. A jótállási idő a terméknek vagy jelentősebb részének kicserélése (kijavítása) esetén a kicserélt (kijavított) termékre (termékrészre), valamint a kijavítás következményeként jelentkező hiba tekintetében újból kezdődik.

Nem érvényesíthető a jótállási igény, ha jótállásra kötelezett bizonyítja, hogy a hiba oka a termék fogyasztó részére való átadását követően keletkezett, így például ha a hibát ■ nem rendeltettségű használat, használati útmutató figyelmen kívül hagyása, helytelen szállítás vagy tárolás, leejtés, rongálás, elemi kár, készüléken kívülálló ok (pl. hálózati feszültség megengedettnél nagyobb ingadozása) ■ illetéktelen átalakítás, beavatkozás, nem a hivatalos szerviz által végzett javítás ■ fogyasztó feladatát képező karbantartási munkák elmulasztása okozta. A jótállás a fogyasztó törvényből eredő jogait nem érinti.

**A kereskedő tölti ki.**

Megnevezés: .....

Típus: .....

Gyártási szám: .....

A termék azonosításra alkalmas részeinek meghatározása (amennyiben alkalmazható): .....

.....

Vásárlást igazoló bizonylat száma: .....

A vásárlás (üzembe helyezés) időpontja: 20..... .hó..... nap.

Kereskedő bélyegzője:

**Javítás esetén a szerviz tölti ki.**

A jótállási igény bejelentésének időpontja: .....

Javításra átvétel időpontja: .....

Hiba oka: .....

Javítás módja: .....

A termék fogyasztó részére való visszaadásának időpontja: .....

A jótállás – kijavítás időtartamával meghosszabbított – új határideje: .....

Szerviz pecsétje

Tisztelt Fogyasztó!

Köszönjük, hogy termékünket választotta. Cégünk és szervizünk elérhetősége:

FAST Hungary Kft. 2310, Szigetszentmiklós, Kántor u. 10. Tel.: 06-23-330-905; 06-23-330-830  
Fax: 06-23-330-827, E-mail: info@fasthungary.hu

**WAŻNE:** Przeczytaj przed użyciem i zachowaj na przyszłość.

## WAŻNE UWAGI

### WPROWADZENIE

- Dziękujemy za zakup tego produktu.
- Prosimy o dokładne zapoznanie się z niniejszą instrukcją obsługi w celu prawidłowej obsługi urządzenia. Po przeczytaniu odłóż instrukcję obsługi w bezpiecznym miejscu do użytku w przyszłości.

### UWAGA

Aby uniknąć ryzyka pożaru lub porażenia prądem elektrycznym nie wystawiaj urządzenia na działanie deszczu lub wilgoci. Aby uniknąć porażenia prądem nie otwieraj obudowy urządzenia, wszelkie naprawy może wykonywać wyłącznie wykwalifikowany serwisant.

### OSTRZEŻENIE

Użycie elementów sterowania, regulacja urządzenia lub obsługa niezgodna z podanymi tu instrukcjami może narazić użytkownika na kontakt z niebezpiecznym promieniowaniem.

### ZAGROŻENIA

W przypadku otwarcia urządzenia, awarii lub uszkodzenia mechanizmów zabezpieczających istnieje ryzyko kontaktu z niewidzialnym promieniowaniem laserowym. Nie narażaj się na bezpośrednie oddziaływanie promieni laserowych.



Ten odtwarzacz płyt kompaktowych jest klasyfikowany jako URZĄDZENIE LASEROWE KLASY 1. Oznaczenie CLASS 1 LASER PRODUCT (Produkt laserowy klasy 1) znajduje się z tyłu urządzenia.

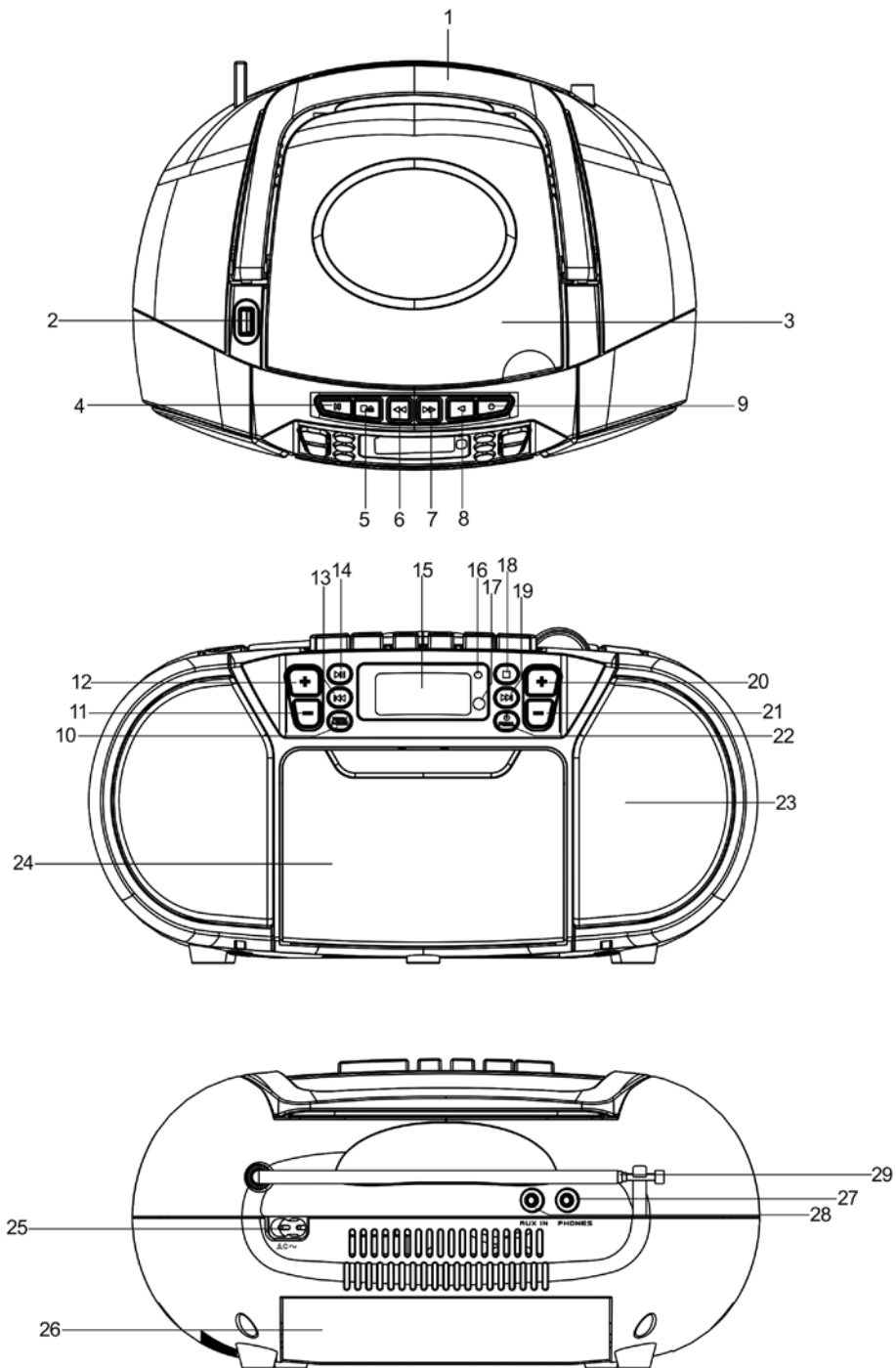
- Nie umieszczaj tego urządzenia w następujących miejscach:
  1. Miejsca narażone na bezpośrednie oddziaływanie promieni słonecznych lub znajdujące się w pobliżu urządzeń emitujących ciepło, takich jak np. grzejniki elektryczne lub na innych urządzeniach stereo, emitujących duże ilości ciepła.
  2. Miejsca o niedostatecznej wentylacji lub dużym zapyleniu.
  3. Miejsca narażone na nieustanne wibracje.
  4. Miejsca wilgotne lub mokre.
- Elementy sterowania, dostrajania i przełączniki należy obsługiwać zgodnie z instrukcją.
- Przed pierwszym włączeniem zasilania upewnij się, że kabel zasilający jest podłączony prawidłowo.
- Kasety i płyty CD należy przechowywać w chłodnym miejscu, aby nie doszło do ich uszkodzenia w wyniku działania ciepła.

### OSTRZEŻENIE:

W CELU OGRANICZENIA RYZYKA PORAŻENIA PRĄDEM ELEKTRYCZNYM NIE USUWAJ POKRYWY ANI TYLNEJ CZĘŚCI URZĄDZENIA. WEWNĄTRZ NIE MA ŻADNYCH ELEMENTÓW NADAJĄCYCH SIĘ DO SAMODZIELNEJ NAPRAWY – POWIERZ NAPRAWĘ WYKWALIFIKOWANYM SERWISANTOM.

### UWAGA:

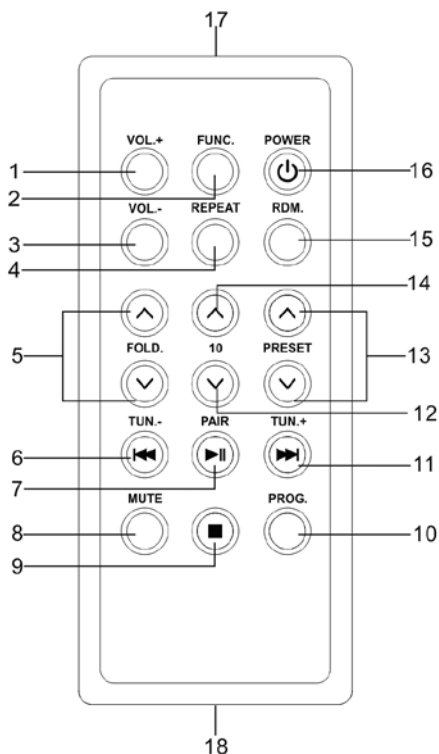
- Jeżeli baterie są rozładowane lub jeśli nie będziesz ich przez dłuższy czas używać, wyjmij je z urządzenia.
- Nieprawidłowe użytkowanie baterii może spowodować wyciek elektrolitu i korozję komory baterii lub pęknięcie osłony baterii, dlatego:
  - Nie łącz różnych typów baterii, np. baterii alkalicznych z cynkowo-węglowymi.
  - Jeśli wymieniasz baterie na nowe, wymień wszystkie równocześnie.





## NAZWY ELEMENTÓW STEROWANIA

1. SKŁADANY UCHWYT
2. GNIAZDO USB
3. DRZWICZKI NAPĘDU CD
4. PRZYCIISK CASSETTE PAUSE (Pauza kasety)
5. PRZYCIISK CASSETTE STOP/EJECT (Zatrzymanie/Wysunięcie kasety)
6. PRZYCIISK CASSETTE FAST FORWARD (Szybkie odtwarzanie kasety do przodu)
7. PRZYCIISK CASSETTE REWIND (Przewijanie kasety do tyłu)
8. PRZYCIISK CASSETTE PLAY (Odtwarzanie kasety)
9. PRZYCIISK CASSETTE RECORD (Nagrywanie na kasetę)
10. PRZYCIISK PROG./P-MODE (Program/Tryb P)
11. PRZYCIISK 10/FOLD./M.- (10/Folder/Pamięć-)
12. PRZYCIISK 10/FOLD./M.+ (10/Folder/Pamięć+)
13. PRZYCIISK ◀◀
14. PRZYCIISK PLAY/PAUSE/PAIR (Odtwarzanie/Pauza/Parowanie)
15. WYŚWIETLACZ LCD
16. WSKAŹNIK TRYBU CZUWANIA
17. ODBIORNIK IR
18. PRZYCIISK STOP (Zatrzymanie)
19. PRZYCIISK ▶▶
20. PRZYCIISK VOLUME+ (Głośność+)
21. PRZYCIISK VOLUME- (Głośność-)
22. PRZYCIISK FUNCTION/STANDBY (Funkcje/Tryb czuwania)
23. GŁOŚNIK
24. DRZWICZKI KIESZENI KASETY
25. GNIAZDO AC (ZASILANIE SIECIOWE)
26. ZASOBNIK NA BATERIE
27. KONEKTOR PHONE (Słuchawki)
28. ZŁĄCZE AUX IN (Wejście liniowe)
29. ANTENA TELESKOPOWA FM



## PILOT ZDALNEGO STEROWANIA

1. VOL+ (Głośność +)
2. FUNCTION (Funkcja)
3. VOL - (Głośność -)
4. REPEAT (Powtarzanie)
5. FOLDER UP & DOWN (Folder w górę i w dół)
6. PREVIOUS/REVERSE (Poprzedni/Do tyłu) i TUN- (Dostrajanie-)
7. PLAY/PAUSE/PAIR (Odtwarzanie/Pauza/Parowanie)
8. MUTE (Wyciszenie)
9. STOP (Zatrzymanie)
10. PROG. (Program)
11. NEXT/FORWARD (Następny/Do przodu) i TUN+ (Dostrajanie+)
12. -10
13. PRESET UP & DOWN (Program w górę i w dół)
14. +10
15. RDM. (Odtwarzanie losowe)
16. STANDBY (POWER) (Tryb czuwania/Zasilanie)
17. Nadajnik zdalnego sterowania
18. Zasobnik na baterie

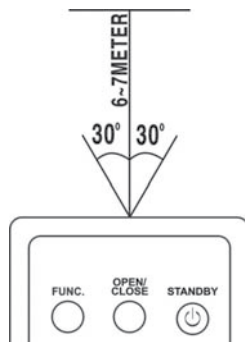
### Uwaga:

Przed pierwszym użyciem należy usunąć plastikowy element ochronny z komory baterii.

## OBSŁUGA PRZY POMOCY PILOTA

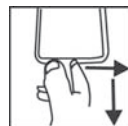
W celu obsługi tego urządzenia przy pomocy pilota, skieruj **nadajnik zdalnego sterowania** [17] w pilocie w stronę czujnika IR na panelu czołowym urządzenia. Naciskaj przyciski na pilocie, aby włączyć wybrane funkcje.

Pilot zdalnego sterowania działa najlepiej z odległości maksymalnie 5 metrów i pod kątem maksymalnie 30 stopni z każdej strony czujnika. Jasne światło słoneczne lub inne oświetlenie w pomieszczeniu mogą uniemożliwić prawidłowe działanie pilota. Jeżeli zdalne sterowanie nie działa prawidłowo lub jest niedostępne, spróbuj wymienić baterię w pilocie na nową lub zaciemnić pomieszczenie.



## WYMIENIĆ BATERIE W PILOCIE

- Pilot zdalnego sterowania zawiera jedną baterię litową CR2025 (3V). Przed pierwszym użyciem pilota należy usunąć plastikowy element ochronny z komory baterii.
- W celu wymiany baterii delikatnie dociśnij zacisk w prawo a następnie wysuń uchwyt komory baterii. Wyjmij starą baterię i włóż do uchwytu nową baterię litową (typu CR-2025). Biegun dodatni baterii musi być zwrócony w górę.
- Wsuń uchwyt do komory, aby zacisk zatrzasnął się w prawidłowej pozycji.



## ŹRÓDŁO ZASILANIA

Urządzenie zaprojektowano do zasilania prądem zmiennym i stałym.

### ZASILANIE Z SIECI

Podłącz jeden koniec sieciowego kabla zasilającego do gniazda AC na urządzeniu, a drugi koniec podłącz do gniazdzka sieciowego w ścianie.

Baterie zostaną automatycznie odłączone.

### ZASILANIE Z BATERII

Otwórz DRZWICZKI ZASOBNIKA NA BATERIE. Włóż do zasobnika 6 baterii UM-1/D (nie wchodzą w skład zestawu). Przestrzegaj wyznaczonej biegunowości.

### OSTRZEŻENIE

- Wyjmij baterie, jeżeli są wyładowane lub jeżeli były używane przez dłuższy czas.
- Baterie zawierają substancje chemiczne, dlatego podczas ich utylizacji należy postępować zgodnie z przepisami.

# PODSTAWOWE FUNKCJE

## WŁĄCZANIE URZĄDZENIA

Po podłączeniu zasilania naciśnij przycisk **STANDBY/FUNC.** aby włączyć urządzenie, następnie ponownie naciśnij przycisk **STANDBY/FUNC.** aby wybrać tryb **CD /USB/ MAGNETOFON KASETOWY** lub **FM.**

### UWAGA:

Jeżeli w trybie **CD/USB/MP3/AUX** przez 15 minut nie zostanie włączona główna funkcja, nastąpi automatyczne przełączenie w tryb gotowości. Jeżeli w trybie magnetofonu kasetowego przez 15 minut nie będzie używana kasetka, nastąpi automatyczne przełączenie w tryb gotowości. Aby ponownie włączyć urządzenie naciśnij przycisk „**STANDBY/FUNC.**” lub odłącz i podłącz urządzenie.

**Wskazówki w przypadku wystąpienia wyładowań elektrostatycznych** – W wyniku wyładowań elektrostatycznych może dojść do zresetowania układu sterowania urządzenia - w takim przypadku należy odłączyć urządzenie od sieci, ponownie go podłączyć i włączyć.

## USTAWIENIA GŁOŚNOŚCI

Aby zwiększyć lub zmniejszyć poziom głośności naciśnij przycisk **VOL. +/-.**

## ZŁĄCZE SŁUCHAWKOWE

Jeśli chcesz słuchać muzyki sam, podłącz 3,5mm złącze słuchawek (nie wchodzi w skład zestawu) do gniazda **HEADPHONE.** GŁOŚNIK zostanie automatycznie odłączony.

### OSTRZEŻENIE:

DŁUGIE GŁOŚNE SŁUCHANIE MA NEGATYWNY WPŁYW NA LUDZKI SŁUCH.

# OBSŁUGA RADIA

## STROJENIE STACJI RADIOWYCH

1. Naciśnij przycisk **STANDBY/FUNC.** aby wybrać tryb radia: Tryb **FM.**
2. Znajdź żądaną stację naciskając przyciski **▶▶I** lub **I◀◀** - częstotliwość stacji pojawi się na wyświetlaczu.
3. Naciskając przyciski **VOL. +/-** ustaw odpowiedni poziom głośności.
4. Aby poprawić odbiór stacji w paśmie **FM,** wysuń antenę teleskopową na pełną długość. Aby uzyskać najlepszy odbiór podczas słuchania stacji w paśmie **FM** ostrożnie przesuwaj urządzenie do tyłu i do przodu lub postaw je na otwartej przestrzeni. Podczas odbioru sygnału stereo na wyświetlaczu zaświeci się wskaźnik **ST.**

## AUTOMATYCZNE ZAPISANIE STACJI W PAMIĘCI

Aby wyszukać i automatycznie zapisać stację w pamięci naciśnij i przytrzymaj przycisk **PLAY/PAUSE.** Każda stacja o wystarczająco mocnym sygnale zostanie zapisana w pamięci.

Po zakończeniu wyszukiwania rozpocznie się automatycznie odtwarzanie stacji numer 1 (**P01**).

Aby przejść do następnej lub poprzedniej zapisanej stacji naciśnij przycisk **M.+/M.-.**

## RĘCZNE ZAPISANIE STACJI W PAMIĘCI

W pamięci można zapisać 30 ulubionych stacji radiowych.

1. Znajdź stację, którą chcesz zapisać, przy użyciu przycisków **▶▶I** lub **I◀◀.**
2. Naciśnij przycisk **PROG.** na urządzeniu - wskaźnik **PROG** zacznie migać, a na wyświetlaczu pojawi się „**P01**”, co oznacza zapisanie stacji w pamięci pod numerem programu 01. Aby zmienić sekwencję programu, naciśnij przycisk **M.+** lub **M.-** a następnie ponownie naciśnij przycisk **PROG.** na urządzeniu, aby potwierdzić wybór.

3. Wyszukaj kolejną stację i powtarzaj kroki (1) i (2), dopóki nie zapiszesz wszystkich stacji. Można zaprogramować do 30 stacji w paśmie FM.
4. Aby przejść do kolejnej lub poprzedniej zapisanej stacji, naciśnij najpierw przycisk **PROG.** a następnie naciśnij przycisk **M.+** lub **M.-**.

## OBSŁUGA MAGNETOFONU KASETOWEGO

### OPIS FUNKCJI PRZYCISKÓW

**PLAY (Odtwarzanie)** – Naciśnij, aby uruchomić odtwarzanie kasyety.

**REWIND (Przewijanie do tyłu)** – W trybie zatrzymania naciśnij, aby przewinąć kasetę do początku.

**F.FWD (Szybkie przewijanie do przodu)** – W trybie zatrzymania naciśnij, aby przewinąć kasetę do końca.

**STOP/EJ. (Zatrzymanie/Wysunięcie)** – Naciśnij, aby zatrzymać aktualną operację kasyety lub aby otworzyć kieszeń kasyety, jeżeli nie są aktywne żadne przyciski.

**PAUSE (Pauza)** – Naciśnij, aby przerwać odtwarzanie lub nagrywanie kasyety. Naciśnij ponownie, aby uruchomić ponownie odtwarzanie lub nagrywanie kasyety.

### ODTWARZANIE KASETY

1. Naciskając przycisk **STANDBY/FUNC** wybierz tryb **MAGNETOFON KASETOWY**.
2. Naciśnij przycisk **STOP/EJ.** Aby otworzyć drzwiczki kieszeni kasyety.
3. Włóż kasetę do kieszeni otwartą krawędzią ku górze z nawiniętą taśmą z prawej strony.
4. Dobrze zamknij drzwiczki.
5. Naciśnij przycisk **REWIND** lub **F.FWD** aby przewinąć kasetę w żądane miejsce.
6. Naciśnij przycisk **PLAY**, aby rozpocząć odtwarzanie kasyety.
7. Ustaw odpowiedni poziom głośności.

### FUNKCJA AUTOMATYCZNEGO WYŁĄCZANIA

Jeżeli w trybie odtwarzania lub nagrywania osiągnięto koniec kasyety, urządzenie wyłączy się automatycznie, a wszystkie przyciski powrócą do pozycji wyłączzonej.

### NAGRYWANIE Z RADIA

1. Włóż do kieszeni pustą kasetę i zamknij drzwiczki.
2. Ustaw przełącznik **FUNCTION** w pozycji **RADIO (Radio)**. Znajdź żądaną stację obracając pokrętkiem **TUNING**.
3. Naciśnij przycisk **RECORD**, aby rozpocząć nagrywanie. Przycisk **RECORD** i przycisk **PLAY** zostaną wciśnięte jednocześnie.
4. Aby zakończyć nagrywanie, naciśnij przycisk **STOP/EJ.**
5. Aby odsłuchać nagranie postępuj zgodnie z punktem **ODTWARZANIE Z KASETY**.

### UWAGA:

**CHWILOWE ZATRZYMANIE** - Użyj przycisku **PAUSE** w magnetofonie kasetowym zamiast przycisku **STOP/EJ.** do chwilowego przerwania nagrania zapewnia o wiele czystsze nagranie. Naciśnij ponownie przycisk **PAUSE**, aby powrócić do nagrywania.

### NAGRYWANIE Z PŁYTY CD

1. Włóż do kieszeni pustą kasetę.
2. Przełącz przełącznik **FUNCTION** w pozycję **CD/AUX IN (CD/Wejście liniowe)**.
3. Włóż płytę CD i wybierz utwór, który chcesz nagrać.
4. Naciśnij przycisk **CD/PLAY/PAUSE** aby rozpocząć odtwarzanie. Naciśnij przycisk **RECORD**, aby rozpocząć nagrywanie.  
Przycisk **RECORD** i przycisk **PLAY** zostaną wciśnięte jednocześnie.

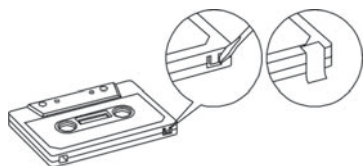
5. Naciśnij przycisk PAUSE, aby przerwać nagranie. Ponowne naciśnięcie tego przycisku uruchamia nagrywanie.
6. Naciśnij przycisk STOP/EJ. Aby zakończyć nagrywanie.
7. Aby odsłuchać nagranie postępuj zgodnie z punktem ODTWARZANIE Z KASETY.

## TYPY KASET

Nagrania należy sporządzać wyłącznie na wysokiej jakości kasetach (IEC TYPE 1). Kasyety innego typu można odtwarzać w urządzeniu, ale na takich kasetach nie można sporządzać wysokiej jakości nagrań. **NIE ZALECAMY** używania w tym urządzeniu kaset C120.

## ZABEZPIECZENIE NAGRANIA

W normalnych warunkach każde nagranie znajdujące się na taśmie zostanie automatycznie usunięte przez nowe nagranie. Możesz jednak zabezpieczyć swoje nagrania przed przypadkowym skasowaniem, usuwając ząbki znajdujące się z tyłu kasety.



ZĄBEK ZABEZPIECZAJĄCY DLA STRONY „A”

Trzymając kasetę nagrany stroną do góry i taśmą skierowaną do przodu, ząbek zabezpieczający znajduje się w lewej tylnej części kasety.

Wszystkie nagrane kasyety są w ten sposób zabezpieczone przed przypadkowym usunięciem nagrania. "Zabezpieczona" kaseeta uniemożliwi naciśnięcie przycisku nagrywania. Jeśli chcesz sporządzić nagranie, ale nie możesz nacisnąć przycisku nagrywania, nigdy nie próbuj go naciskać na siłę. mogłoby to spowodować uszkodzenie mechanizmu. Sprawdź, czy kaseeta została prawidłowo włożona lub czy nie zostały usunięte płytki zabezpieczające.

Aby dokonać nagrania na kasecie z usuniętymi ząbkami należy zakleić otwory po ząbkach kawałkiem taśmy klejącej.

## KONSERWACJA MECHANIZMU KASETOWEGO

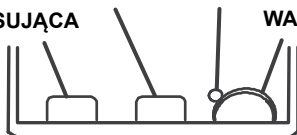
Oczyść ostrożnie głowicę kasety i elementy kółka dociskowego/wałka napędowego po każdym 10 godzinach użytkowania urządzenia. Na rynku jest dostępny szereg środków przeznaczonych do czyszczenia magnetofonów kasetowych.

**GŁOWICA NAGRYWAJĄCA/ODTWARZAJĄCA**

**WAŁEK NAPĘDOWY**

**GŁOWICA KASUJĄCA**

**WAŁEK DOCISKAJĄCY**



Głowica kasująca, głowica nagrywająca/odtwarzająca oraz powierzchnia wałka dociskowego są bardzo delikatne i nie można ich dotykać metalowymi przedmiotami, np. śrubokrętem. Czyszczenie elementów będzie łatwiejsze po naciśnięciu przycisku PLAY, które spowoduje wysunięcie głowicy i wałka dociskowego. Po wyczyszczeniu mechanizmu nie zapomnij nacisnąć przycisku STOP.

Jeżeli urządzenie pozostanie w trybie PLAY (Odtwarzanie) przy wyłączonym zasilaniu, może dojść do uszkodzenia kółka dociskowego.

W żadnym wypadku nie smaruj żadnych części urządzenia.

## Odtwarzane płyty

Ten system umożliwia odtwarzanie wszystkich cyfrowych płyt dźwiękowych CD, MP3, WMA, zamkniętych cyfrowych płyt dźwiękowych CD-R (płyty CD umożliwiające zapis), zamkniętych cyfrowych płyt dźwiękowych CD-RW (płyty CD umożliwiające skasowanie zawartości i ponowny zapis) oraz cyfrowych płyt dźwiękowych CD/CD-R/CD-RW w formacie CD-DA.

## WKŁADANIE PŁYTY

1. Naciskając przycisk STANDBY/FUNC. wybierz tryb CD.
2. Otwórz drzwiczki mechanizmu CD. Na wyświetlaczu pojawi się „OPEN” (Otwarty).
3. Włóż dysk CD audio do napędu zadrukowaną stroną ku górze.
4. Zamknij drzwiczki napędu CD. Po zakończeniu odczytu, na wyświetlaczu pojawi się łączna liczba ścieżek.
5. Aby wyjąć płytę CD, naciśnij przycisk STOP i otwórz pokrywę napędu CD, złap płytę CD za krawędzie i ostrożnie ją wyjmij.

### Uwaga:

1. W celu zapewnienia prawidłowego działania systemu przed kolejną czynnością poczekaj, aż urządzenie wczyta całą płytę.
2. Jeżeli w napędzie nie umieszczono płyty lub jeżeli włożono płytę odwrotnie, na wyświetlaczu pojawi się komunikat **NO DISC** (Brak płyty).

## ODTWARZANIE PŁYT

**Po zakończeniu odczytu płyty automatycznie uruchomi się odtwarzanie.**

1. Odtwarzanie uruchomi się od ścieżki 1 - na wyświetlaczu pojawi się wskaźnik „Track 01” (Ścieżka 01). Odtwarzanie można przerwać naciskając przycisk PLAY/PAUSE. Na wyświetlaczu będzie migać wskazanie „aktualnego czasu odtwarzania”.  
Ponownie naciśnięcie przycisku PLAY / PAUSE uruchamia ponownie odtwarzanie.
2. Aby zatrzymać odtwarzanie naciśnij przycisk STOP - na wyświetlaczu pojawi się całkowita liczba utworów.

## WYBÓR UTWORU/FRAGMENTU

### Wybór utworu

- W trybie zatrzymania odtwarzania lub w trybie odtwarzania naciśnij przycisk **◀◀ / ▶▶** dopóki na wyświetlaczu nie pojawi się żądana ścieżka.
- Naciśnij przycisk PLAY/PAUSE aby rozpocząć odtwarzanie.

### Wyszukiwanie konkretnego fragmentu podczas odtwarzania (szybkie przeszukiwanie utworów)

Naciśnij i przytrzymaj przycisk **◀◀ / ▶▶** aby przeszukać odtwarzaną ścieżkę z dużą prędkością, po znalezieniu szukanego fragmentu zwolnij przycisk. Odtwarzanie rozpocznie się od miejsca.

### Wybór utworu o numerze ścieżki wyższym niż 10 (tylko dla płyt MP3)

Jeżeli chcesz wybrać utwór/ścieżkę o numerze wyższym niż 10, naciśnij przycisk 10/FOLD./M.+ lub 10/FOLD./M.- aby przeskoczyć do przodu/do tyłu co 10 ścieżek, a następnie naciśnij przycisk **▶▶** lub **◀◀** aby wybrać żądaną ścieżkę. Na przykład: aby wybrać ścieżkę 17, naciśnij przycisk 10/FOLD./M.+ a następnie od razu naciśnij sześć razy przycisk **▶▶**.

### Wybór żądanego katalogu (tylko dla płyt MP3)

(jeżeli płyta MP3 zawiera więcej niż jeden katalog)

Aby przejść do żądanego katalogu podczas odtwarzania naciśnij i przytrzymaj przycisk 10/FOLD./M.+ lub 10/FOLD./M.- przez ok. 2 sekundy - urządzenie przeskoczy do następnego/poprzedniego katalogu.

## PROGRAMOWANIE UTWORÓW

Programowanie utworów na płycie można wykonać po zatrzymaniu odtwarzania. W pamięci można w dowolnej kolejności zapisać do 20 utworów z płyty CD lub 99 utworów MP3.

1. Przy zatrzymanym odtwarzaniu naciśnij przycisk PROG./P-MODE - zaświeci się wskaźnik **P01**.
2. Naciśnij przycisk CD ►► lub ◄◄ aby wybrać pierwszy utwór, których chcesz zapisać w pamięci.
3. Aby potwierdzić, naciśnij przycisk PROG./P-MODE. Na wyświetlaczu pojawi się **P02**.
4. Powtarzając kroki 2 i 3 zapisuj kolejne utwory, aż do zakończenia programowania.
5. Naciśnij przycisk PLAY/PAUSE, aby uruchomić odtwarzanie od pierwszego zaprogramowanego utworu.
6. Aby zakończyć odtwarzanie programu, naciśnij przycisk STOP.

### Kasowanie pamięci (program)

Program można skasować na dwa sposoby:

1. Naciskając przycisk STOP przy zatrzymanej płycie
2. Otwierając kieszon napędu CD.

## ODTWARZANIE W PĘTLI

Urządzenie umożliwia ponowne odtwarzanie jednego utworu lub wszystkich utworów na płycie.

### Ponowne odtwarzanie jednego utworu

1. Naciśnij przycisk PROG./P-MODE jeden raz podczas odtwarzania - na wyświetlaczu będzie migać wskaźnik REP (Powtarzanie). Aktualna ścieżka będzie odtwarzana ponownie, dopóki nie naciśniesz przycisku STOP.
2. Aby anulować ponowne odtwarzanie, naciskaj przycisk PROG./P-MODE do momentu, gdy zniknie wskaźnik REP (Powtarzanie).

### Ponowne odtwarzanie wszystkich utworów

1. Naciśnij przycisk PROG./P-MODE dwa razy podczas odtwarzania - na wyświetlaczu będzie świecić wskaźnik REP (Powtarzanie) i wszystkie utwory na płycie będą odtwarzane w pętli, aż do naciśnięcia przycisku STOP.
2. Aby anulować ponowne odtwarzanie, naciskaj przycisk PROG./P-MODE do momentu, gdy zniknie wskaźnik REP (Powtarzanie).

### Ponowne odtwarzanie aktualnego folderu (tylko dla MP3)

1. Naciskaj przycisk PROG./P-MODE w trybie odtwarzania tak, aby na wyświetlaczu zaświecił się wskaźnik „REP-ALBUM“ (Powtarzanie albumu) - aktualny folder będzie odtwarzany w pętli, aż do naciśnięcia przycisku STOP.
2. Aby anulować funkcję powtarzania, naciskaj przycisk PROG./P-MODE, aż na wyświetlaczu zgaśnie wskaźnik „REP-ALBUM“ (Powtarzanie – album).

## ODTWARZANIE LOSOWE

Naciśnij przycisk PROG./P-MODE w trybie odtwarzania/zatrzymania, aby uruchomić odtwarzanie losowe. Na wyświetlaczu zaświeci się wskaźnik RDM, a odtwarzanie rozpocznie się od losowo wybranej ścieżki (a nie według kolejności na płycie). Aby anulować odtwarzanie losowe, naciśnij ponownie przycisk **RDM**.

## ODTWARZANIE Z USB

1. Naciskając przycisk STANDBY/FUNC. wybierz tryb USB.
2. Podłącz urządzenie USB do wejścia USB. Na wyświetlaczu LCD pojawi się całkowita liczba utworów i katalogów zapisanych w urządzeniu USB. Po wczytaniu USB (urządzenie obsługuje pamięci USB o pojemności do 32 GB) zostanie uruchomione automatyczne odtwarzanie.
3. Aby zatrzymać odtwarzanie, naciśnij przycisk ■ na urządzeniu. Na wyświetlaczu pojawi się ogólna liczba utworów i katalogów w urządzeniu USB i napis STOP (Zatrzymano).

4. Funkcja odtwarzania w pętli (powtarzanie jednego utworu - powtarzanie folderu - powtarzanie wszystkich utworów - WSTĘPY), odtwarzania zaprogramowanych utworów, przeskakiwania do przodu i do tyłu działa identycznie, jak opisano powyżej w rozdziale „OBSŁUGA CD/MP3”.

#### **OSTRZEŻENIE:**

Do podłączenia urządzenia USB nie używaj przedłużacza USB, ponieważ mógłby on wywoływać zakłócenia.

## **OBSŁUGA BLUETOOTH**

1. Naciśnij przycisk **FUNC.** na urządzeniu lub na pilocie, aby przełączyć urządzenie w tryb BLUETOOTH – na wyświetlaczu LCD pojawi się „bT” a wskaźnik parowania/trybu gotowości będzie szybko migać.
2. Włącz funkcję Bluetooth w swoim urządzeniu, wyszukaj urządzenie „**SPT 3907**” i podłącz; w razie żądania hasła wprowadź 0000. Na wyświetlaczu pojawi się „bt”. Aby rozpocząć odtwarzanie, naciśnij przycisk **▶II/PAIR** na urządzeniu lub przycisk odtwarzania w podłączonym urządzeniu. Jeżeli urządzenie nie połączy się w ciągu 2 minut z właściwym Bluetooth, naciśnij przycisk **▶II/PAIR** na urządzeniu lub przycisk PAIR na pilocie w celu ponowienia połączenia.
3. Naciskając przyciski **VOLUME +/-** ustaw żadaną głośność.
4. Naciskając przyciski **▶▶I** lub **I◀◀** na urządzeniu lub przycisk **▶▶I** na pilocie wybierz utwór, który ma być odtwarzany.
5. Aby zatrzymać odtwarzanie, naciśnij przycisk **▶II/PAIR** na urządzeniu lub przycisk **▶II** na pilocie.  
**Uwaga:** Funkcja Bluetooth działa najlepiej w zasięgu 10 metrów.

## **OBSŁUGA WEJŚCIA LINIOWEGO**

Urządzenie jest wyposażone w wejście urządzeń zewnętrznych 3,5mm AUX IN, za którego pośrednictwem można do urządzenia podłączyć i wzmacnić inne źródła dźwięku.

1. Naciskając przyciski **STANDBY/FUNC.** wybierz tryb AUX (Wejście liniowe).
2. Podłącz jeden koniec kabla audio do gniazda AUX IN a drugie koniec do gniazda AUDIO OUT w zewnętrznym źródle dźwięku.
3. Ustaw głośność na urządzeniu na odpowiedni poziom.
4. Aby uruchomić odtwarzanie, wciśnij przycisk **PLAY** na zewnętrznym źródle dźwięku (np. na odtwarzaczu MP3).



## DANE TECHNICZNE

### OGÓLNE

Wymogi dotyczące zasilania	AC 100–240 V~, 60/50 Hz DC 9 V UM-1 × 6 KS
Zużycie energii	14 W
Masa	Ok. 1,7 kg
Wymiary	Ok. 280 mm (SZER) × 210 mm (GŁ.) × 140 mm (WYS.)
Temperatura pracy	+5–35°C

### ODBIORNIK

Zakres częstotliwości FM	87,5–108 MHz
--------------------------	--------------

### ODTWARZACZ CD

Czujnik optyczny	Laser z 3 promieniami
Pasma przenoszenia	100 Hz–16 kHz

### MAGNETOFON KASETOWY

System wstępnej magnetyzacji (Bias)	Magnetyzacja wstępna prądem stałym (DC Bias)
Pasma przenoszenia	125 Hz–4 kHz
Wahania i zniekształcenia	0,4 % WRMS (JIS)

### DŹWIĘK

Moc wyjściowa	2 W × 2 (RMS)
---------------	---------------

### Bluetooth

	V5.0
--	------

### AKCESORIA

Instrukcja obsługi	1
Kabel sieciowy	1
Pilot zdalnego sterowania	1

#### Uwaga:

Ze względu na nieustanne ulepszanie produktu dane techniczne mogą się zmieniać. Z tego względu zastrzegamy sobie prawo dokonywania zmian bez uprzedzenia.

## WSKAZÓWKI I INFORMACJE DOTYCZĄCE UTYLIZACJI ZUŻYTYCH OPAKOWAŃ

Materiał opakowaniowy należy oddać do utylizacji do punktu zbiorczego.



### UTYLIZACJA ZUŻYTYCH URZĄDZEŃ ELEKTRYCZNYCH I ELEKTRONICZNYCH

Ten symbol umieszczony na produkcie, wyposażeniu lub opakowaniu informuje, że produktu nie należy traktować jak zwykłego odpadu domowego. Produkt należy przekazać do punktu recyklingu urządzeń elektrycznych i elektronicznych. W niektórych krajach Unii Europejskiej lub w niektórych państwach europejskich przy zakupie nowego ekwiwalentnego produktu można dokonać zwrotu zużytego produktu lokalnemu sprzedawcy. Przez prawidłową utylizację tego produktu przyczyniasz się do ochrony cennych zasobów naturalnych i zapobiegasz ewentualnemu negatywnemu wpływowi odpadów na środowisko naturalne i zdrowie ludzkie, do którego mogłoby dojść w wyniku nieprawidłowej utylizacji odpadu. Szczegółowych informacji udziela lokalne urzędy lub najbliższy punkt zbiórki prowadzący utylizację odpadów. Niewłaściwa utylizacja tego typu odpadów może skutkować nałożeniem kary ustawowej.

### Dla firm w Unii Europejskiej

Informacji na temat likwidacji urządzeń elektrycznych lub elektronicznych udziela sprzedawca lub dostawca urządzenia.

### Utylizacja wyrobu w krajach poza Unią Europejską

Informacji na temat właściwej utylizacji produktu udzieli lokalny urząd lub sprzedawca urządzenia.



Produkt spełnia wymagania UE.

Spółka Fast ČR, a.s. niniejszym oświadcza, że urządzenie radiowe typu SPT 3907 jest zgodne z dyrektywą 2014/53/UE. Pełny tekst deklaracji zgodności UE jest dostępny na poniższej stronie internetowej: [sencor.com](http://sencor.com)

Tekst, design i dane techniczne mogą ulec zmianie bez uprzedzenia. Zastrzegamy sobie prawo do dokonania tych zmian.

Językiem oryginału jest język czeski.

Adres producenta:

FAST ČR, a. s., Černokostelecká 1621, Říčany CZ-251 01

# SENCOR®

## PL Warunki gwarancji

### Karta gwarancyjna nie jest częścią pakietu urządzenia.

Produkt objęty jest 24 – miesięczną gwarancją, począwszy od daty zakupu przez klienta. Gwarancja jest ograniczona tylko do przedstawionych dalej warunków. Gwarancja obejmuje tylko produkty zakupione w Polsce i jest ważna tylko na terytorium Rzeczypospolitej Polskiej. Gwarancja obejmuje tylko produkty funkcjonujące w warunkach gospodarstwa domowego (nie dotyczy produktów oznaczonych jako „Professional“). Zgłoszenia gwarancyjne można dokonać w autoryzowanej sieci serwisowej lub w sklepie, gdzie produkt został nabyty. Użytkownik jest zobowiązany zgłosić usterkę niezwłocznie po jej wykryciu, a najpóźniej w ostatnim dniu obowiązywania okresu gwarancyjnego. Użytkownik jest zobowiązany do przedstawienia i udokumentowania usterki. Tylko kompletne i czyste produkty (zgodnie ze standardami higienicznymi) będą przyjmowane do naprawy. Usterki będą usuwane przez autoryzowany punkt serwisowy w możliwie krótkim terminie, nieprzekraczającym 14 dni roboczych. Okres gwarancji przedłuża się o czas pobytu sprzętu w serwisie. Klient może ubiegać się o wymianę sprzętu na wolny od wad, jeżeli punkt serwisowy stwierdzi na piśmie, że usunięcie wady jest niemożliwe. Aby produkt mógł być przyjęty przez serwis, użytkownik jest zobowiązany dostarczyć oryginały: dowodu zakupu (paragon lub faktura), podbitej i wypełnionej karty gwarancyjnej, certyfikatu instalacji (niektóre produkty).

#### Gwarancja zostaje unieważniona, jeśli:

- usterka była widoczna w chwili zakupu;
- usterka wynika ze zwykłego użytkowania i zużycia;
- produkt został uszkodzony z powodu złej instalacji, niezastosowania się do instrukcji obsługi lub użytkowania niezgodnego z przeznaczeniem;
- produkt został uszkodzony z powodu złej konserwacji lub jej braku;
- produkt został uszkodzony z powodu zanieczyszczenia, wypadku lub okoliczności o charakterze sił wyższych (powódź, pożar, wojny, zamieszki itp.);
- produkt wykazuje złe działanie z powodu słabego sygnału, zakłóceń elektromagnetycznych itp.;
- produkt został uszkodzony mechanicznie (np. Wyłamany przycisk, upadek, itp.);
- produkt został uszkodzony z powodu użycia niewłaściwych materiałów eksploatacyjnych, nośników, akcesoriów, baterii, akumulatorów itp. lub z powodu użytkowania w złych warunkach (temperatura, wilgotność, wstrząsy itp.);
- produkt był naprawiany lub modyfikowany przez nieautoryzowany personel;
- użytkownik nie jest w stanie udowodnić zakupu (nieczytelny paragon lub faktura), dane na przedstawionych dokumentach są inne niż na urządzeniu;
- produkt nie może być zidentyfikowany ze względu na uszkodzenie numeru seryjnego lub plomby gwarancyjnej.

Sprzęt marki Sencor serwisuje ogólnopolska sieć serwisowa ARCONET. Okres gwarancji wynosi 24 miesiące od daty zakupu. W razie problemów ze znalezieniem najbliższego punktu serwisowego, prosimy o sprawdzenie na stronie internetowej lub kontakt telefoniczny.

**[www.arconet.pl](http://www.arconet.pl) tel. kontaktowy (061) 879 89 93**

Więcej informacji na **[www.sencor.pl](http://www.sencor.pl)**

